

Want to visualize this product in 3D?

- 1 Download the Augment App
- 2 Scan this image



► Model G-SPK

Global Series Signaling Platform – Loudspeaker

G-Series Loudspeakers utilize the latest techniques in non-metallic housing construction to improve corrosion resistance and reduce weight when compared to traditional metal housings. The G-Series Loudspeakers flameproof “Ex d” versions come standard with two (2) M20 entries. The increased safety “Ex de” versions include a separate terminal chamber for quick field termination or pass-through wiring, and includes three (3) M20 entries in a standard configuration.

G-Series Loudspeakers are available as 15W devices, and are designed to accept an audio input of either 70 Vrms or 100 Vrms (model-specific). Five (5) remotely selectable tap settings are available at each of the high and low volume settings (user configurable)¹.

The G-Series Loudspeaker can be combined with all other G-Series audible and visual products in several custom configurations. Custom configurations can be ordered directly from the factory. Optional coupling kits, which allow limited field fixturing, are available.

FEATURES

- Loudspeaker available in 70 Vrms or 100 Vrms
- Optional 316 stainless steel ratchet adjustable mounting U-bracket (Field installation required)
- IP66 enclosure
- Non-metallic corrosion-resistant design
- 15 Watt Design
- Field customizable legend plates available²
- Two M20 entries standard on Ex d models, three M20 entries standard on Ex de models
- Zone 1, 21 Rated, IECEx, ATEX, Ex d IIC, Ex de IIC and Ex tb IIIC
- UL and cUL Listed for Class I, Division 2, Groups A, B, C and D; Class II, Division 2, Groups F and G; and Class III
- Optional indicator rings are available in six colors: Black, Blue, Green, Magenta, Red and Yellow

| MODEL | AUDIO LEVEL | MAX CURRENT DRAW | DECIBELS ³ | | VOLUME SETTING | AVAILABLE TAPS |
|-------|-------------|------------------|-----------------------|-----|----------------|-----------------------|
| | | | 10' | 1M | | |
| G-SPK | 70 Vrms | 0.160 amps | 96 | 106 | High | 15, 10, 7, 5, 2 |
| | 100 Vrms | 0.110 amps | 96 | 106 | Low | 1, 0.7, 0.5, 0.3, 0.1 |

¹ Refer to application guide for specific wiring details

² Recommended labels: BRADY #B-855 Toughwash labels or ULINE #S-16643 weather resistant

³ Measured using a reference frequency of 1.25 kHz at nominal input voltage

UL/cUL HAZARDOUS LOCATION RATING

TEMPERATURE CODE AT 70°C

| | |
|--|----|
| Class I, Division 2, Groups A, B, C, D | T3 |
| Class II, Division 2, Groups F, G | T6 |
| Class III | T6 |

ATEX/IECEx HAZARDOUS LOCATION RATING

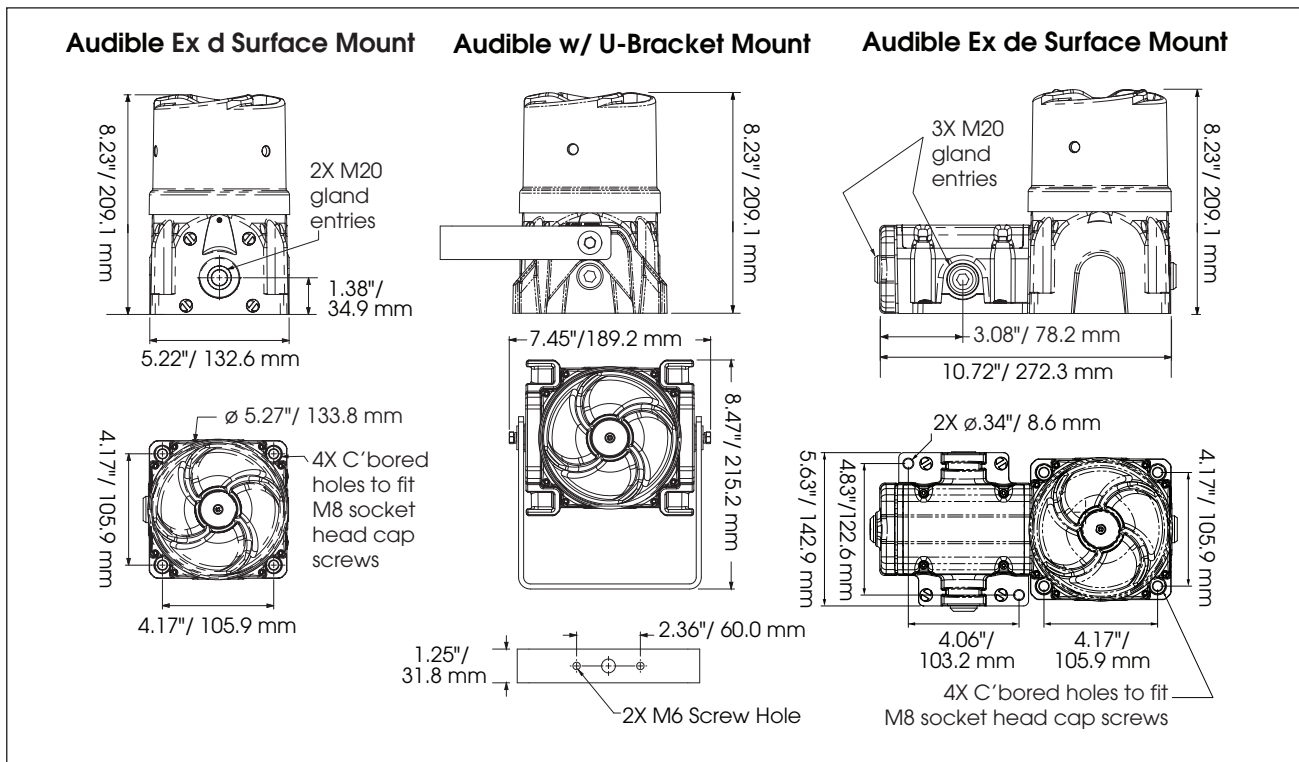
TEMPERATURE CODE

| AT 49°C | AT 70°C |
|-------------|-------------|
| T5 (in IIB) | T4 (in IIB) |
| T4 (in IIC) | T4 (in IIC) |



THIS PRODUCT IS NOT FOR SALE, RE-SALE, DISTRIBUTION OR USE IN THE FOLLOWING COUNTRIES: BELGIUM, FRANCE, GERMANY, ITALY, NETHERLANDS, SPAIN, OR THE UNITED KINGDOM UNTIL AUGUST 2017.

Global Series Signaling Platform – Audible Device (G-SPK)



SPECIFICATIONS

Operating Temperature Range:¹ -67°F to 158°F -55°C to +70°C

ATEX/IECEx Certification Marking:

Ex db IIB T5 Gb or Ex db e IIB T5 Gb
 Ex tb IIIC T100°C Db IP66
 Ex db IIC T4 Gb or Ex db e IIC T4 Gb
 Ex tb IIIC T135°C Db IP66
 ATEX: Baseefa15ATEX0155X
 IECEx: IECEx BAS 15.0104X

External Fasteners: 316 stainless steel

Terminals: EX d: 10-way block (5 in, 5 out)
 Ex de: 3-pole, 4 position quad pole terminal blocks

Cable Entries: Ex d: 2 entries - M20 x 1.5
 Ex de: 3 entries - M20 x 1.5

UL and cUL Certification Marking:

Class I, Division 2, Groups A, B, C, D T3 @ 70°C
 Class II, Division 2, Groups F, G T6 @ 70°C
 Class III T6 @ 70°C
 UL and cUL E12629

Net Product Weight:

| | | |
|----------------------|-----------|--------|
| Ex d Surface Mount | 9.20 lbs | 4.17kg |
| Ex d U-Bracket Mount | 11.18 lbs | 5.07kg |
| Ex de Surface Mount | 12.02 lbs | 5.45kg |

REPLACEMENT PARTS

| Description | Part Number |
|--|----------------|
| 70 Vrms G-SPK Loudspeaker Kit (Kit includes PCBAs, bracket, driver, and mounting screw) | K859501405-070 |
| 100 Vrms G-SPK Loudspeaker Kit (Kit includes PCBAs, bracket, driver, and mounting screw) | K859501405-100 |
| e-Box Endcap with M20 Opening | K859500805-02 |
| e-Box Endcap with M25 Opening | K859500805-01 |
| e-Box Cover Assembly (Includes two terminal blocks, mounting plate and retention hardware) | K859501414 |

THIS PRODUCT IS NOT FOR SALE, RE-SALE, DISTRIBUTION OR USE IN THE FOLLOWING COUNTRIES: BELGIUM, FRANCE, GERMANY, ITALY, NETHERLANDS, SPAIN, OR THE UNITED KINGDOM UNTIL AUGUST 2017.

HOW TO ORDER

