



Want to visualize this product in 3D?

- 1 Download the Augment App
- 2 Scan this image

Model G-LED

Global Series Signaling Platform – LED

The Federal Signal patent pending G-Series LED Beacons feature a long-life LED light source with the ability to set one of eight (8) flash patterns (user-configurable). The device is rated to the latest protection concept, “Ex op is” (inherently safe optical radiation). The housing is made from GRP (Glass Reinforced Polyester) designed to serve the demanding needs of offshore marine and land-based industrial applications.

The G Series LED Beacons flameproof “Ex d” versions come standard with two (2) M20 entries. The increased safety “Ex de” versions include a separate terminal chamber for quick field termination or pass-through wiring, and includes three (3) M20 entries in a standard configuration.

The G-Series LED Beacons can be combined with all other G-Series audible and visual products in several custom configurations. Custom configurations can be ordered directly from the factory. Optional coupling kits, which allow limited field fixturing, are available. For use in alarm control panel applications.

FEATURES

- Available in 24VDC and 120-240VAC 50/60Hz
- Optional 316 stainless steel ratchet adjustable mounting U-bracket (Field installation required)
- GRP (Glass Reinforced Polyester) Non-metallic corrosion-resistant design
- Dome guard included
- 24VDC models contain a supervisory diode and four wire terminal block
- M20 entries standard (M25 option available)
- IP66 enclosure
- Zone 1, 21 Rated, IECEx, ATEX, Ex d IIC, Ex de IIC and Ex tb IIIC
- UL and cUL Listed for Class I, Division 2, Groups A, B, C and D; Class II, Division 2, Groups F and G; and Class III
- LED has 8 on-board flash patterns, factory default is Flashing at 60 FPM
- “Auto-sync” available for AC flashing pattern products⁵
- Optional indicator rings are available in six colors: Black, Blue, Green, Magenta, Red and Yellow
- Field customizable legend plates available¹

MODEL	OPERATING VOLTAGE	OPERATING CURRENT ²	LAMP LIFE HOURS	CANDELA ³	LUMENS ⁴
G-LED	24VDC	0.300 amps	50,000	175	400
	120-240VAC 50/60Hz	0.12-0.70 amps	50,000	175	400

UL/cUL HAZARDOUS LOCATION RATING

TEMPERATURE CODE AT 70°C

Class I, Division 2, Groups A, B, C, D	T4
Class II, Division 2, Groups F, G	T6
Class III	T6

ATEX/IECEx HAZARDOUS LOCATION RATING

TEMPERATURE CODE AT 70°C

T5
T5

¹ Recommended labels: BRADY #B-855 Toughwash labels or ULINE #S-16643 weather resistant

² Operating current varies with color

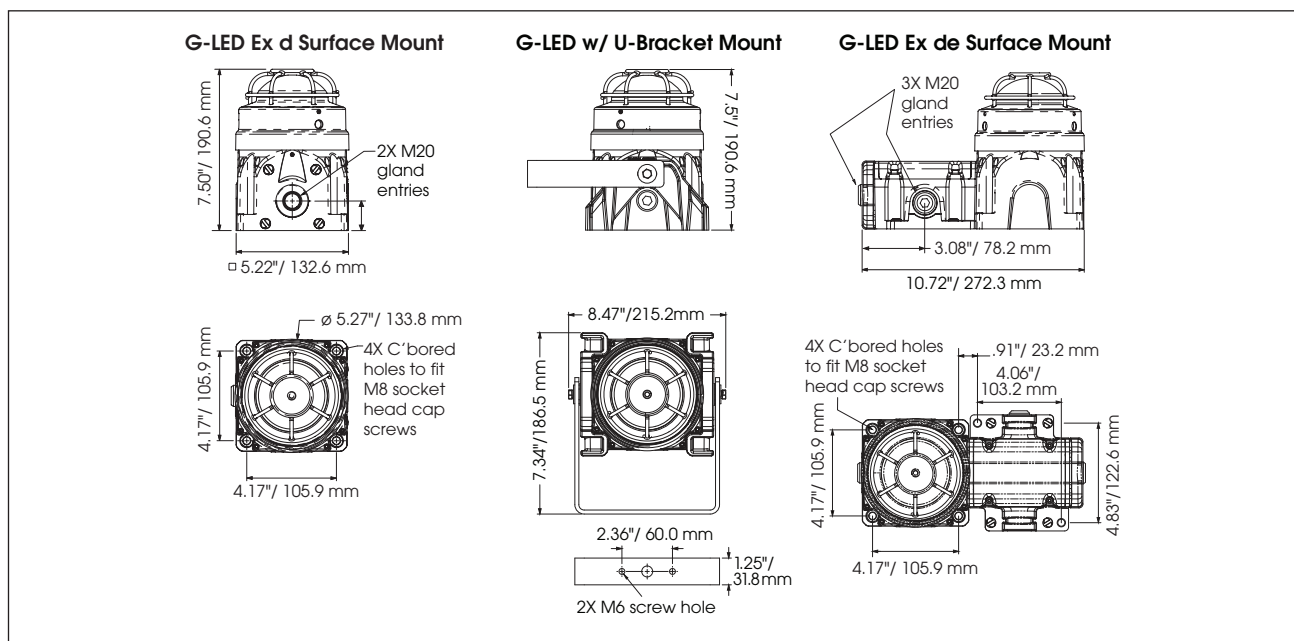
³ Candela measured with white LED array and clear lens

⁴ Lumens measured with white LED array and clear lens

⁵ Consult our Technical Support team for details



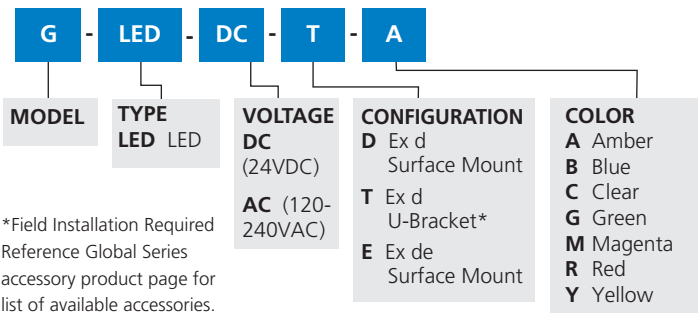
Global Series Signaling Platform – LED (G-LED)



SPECIFICATIONS

Lamp Life:	50,000 Hours	
Light Source:	High-brightness LED Emitter	
Nominal Operating Temperature Range: ¹	-67°F to 158°F	-55°C to 70°C
ATEX/IECEx Certification Marking:		
II 2GD Ex d IIC Gb, Ex tb IIIC Db IP66.	T6 @ 58°C; T5 @ 70°C	
II 2GD Ex de IIC Gb, Ex tb IIIC Db IP66.	T6 @ 58°C; T5 @ 70°C	
	ATEX: Baseefa15ATEX0153X	
	IECEx: IECEx BAS 15.0102X	
Guard and External Fasteners:	316 stainless steel	
Terminals:	Ex d: 6 way block (3 in, 3 out)	
	Ex de: 3-pole, 4 position quad pole terminal blocks	
Cable Entries:	Ex d: 2 entries - M20 x 1.5	
	Ex de: 3 entries - M20 x 1.5	
UL and cUL Certification Marking:		
Class I, Division 2, Groups A, B, C, D	T4 @ 70°C	
Class II, Division 2, Groups F, G	T6 @ 70°C	
Class III	T6 @ 70°C	
	UL and cUL E207119	
Net Product Weight		
Ex d Surface Mount:	6.17 lbs	2.80 kg
Ex d U-Bracket Mount:	8.15 lbs	3.70 kg
Ex de Surface Mount:	8.99 lbs	4.08 kg

HOW TO ORDER



¹ UL and cUL is -58°F to 158°F (-50°C to 70°C)

REPLACEMENT PARTS

Description	Part Number
DC LED (24VDC) Internal Sub-assembly Kit (Includes PCBAs, bracket, LED light head and mounting screw)	
LED/PCB DC Sub-Assy, Amber	K859501400-A
LED/PCB DC Sub-Assy, Blue	K859501400-B
LED/PCB DC Sub-Assy, White	K859501400-W
LED/PCB DC Sub-Assy, Green	K859501400-G
LED/PCB DC Sub-Assy, Magenta	K859501400-W
LED/PCB DC Sub-Assy, Red	K859501400-R
LED/PCB DC Sub-Assy, Yellow	K859501400-W
AC LED (120-240VAC) Internal Sub-assembly Kit (Includes PCBAs, bracket, LED light head and mounting screw)	
LED/PCB AC Sub-Assy, Amber	K859501401-A
LED/PCB AC Sub-Assy, Blue	K859501401-B
LED/PCB AC Sub-Assy, White	K859501401-W
LED/PCB AC Sub-Assy, Green	K859501401-G
LED/PCB AC Sub-Assy, Magenta	K859501401-W
LED/PCB AC Sub-Assy, Red	K859501401-R
LED/PCB AC Sub-Assy, Yellow	K859501401-W
Lens Ass'y, LED, Amber	K859500815
Lens Ass'y, LED, Blue	K859500815-01
Lens Ass'y, LED, Clear	K859500815-02
Lens Ass'y, LED, Green	K859500815-03
Lens Ass'y, LED, Red	K859500815-04
Lens Ass'y, LED, Magenta	K859500815-05
Lens Ass'y, LED, Yellow	K859500815-06
e-Box Endcap with M20 Opening	K859500805-02
e-Box Endcap with M25 Opening	K859500805-01
e-Box Cover Assembly	K859501414
(Includes two terminal blocks, mounting plate and retention hardware)	
M25 Endcap	K859500805-01