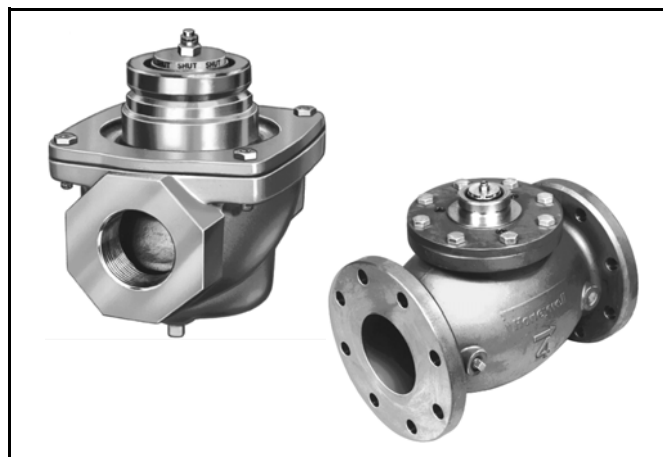


V5055A-F Industrial Gas Valves

PRODUCT DATA



APPLICATION

The V5055 Gas Valves are used with the V4055, V4062, and V9055 Fluid Power Actuators to control gas flow to commercial and industrial burners.

While it is possible to combine any V5055 gas valve with any V4055, V4062, V9055 fluid actuator, a limited range of combinations apply to the applications most often used. See Table 1.

FEATURES

- Used with natural or liquefied petroleum (LP) gases.
- V5055 normally closed valves are rated for final shutoff service (safety shutoff).
- V5055A,C,D,E,F Valves are for On-Off service.
- V5055B Valve has a characterized guide and in combination with the V4055, V4062, and V9055 Fluid Power Actuators, provides slow-opening, hi-lo-off, and modulating functions respectively.
- V5055C,E Valves have a double seal and are used with V4055D,E Actuators to provide proof-of-closure switch and valve seal overtravel interlock.
- V5055D,E Valves are for high pressure applications (see Table 2).
- Seven valve sizes from 3/4 to 3 inches have NPT threaded connections. Models are available with BSP-PL threads. V5055A,B,C Valves are available in a 4 inch size and have flange connections.
- Most models have 1/4 inch upstream and downstream tap and plug. BSP-PL thread models have 1/4 inch upstream tap and plug.
- Yellow SHUT indicator attached to the valve stem provides an indication of the valve closed position.
- Unpainted, die-cast aluminum body.

NOTICE: Per Industry Standards, the actuator is required a conduit seal or a cable type that is sealed be installed in a device that can result in a flammable liquid flow through a conduit or cable to an electrical ignition source in the event of a seal leakage or diaphragm failure.

Contents

Application	1
Features	1
Specifications	2
Ordering Information	2
Gas Valve Sizing	5
To Size Two Identical Valves Piped In Series	5
Installation	7
Operation and Checkout	8
Service Information	10



SPECIFICATIONS

Table 1. Usual Combinations of Fluid Power Actuators and V5055 Industrial Gas Valves.

Fluid Power Actuators/ Industrial Gas Valves			Standard pressure ^a			High Pressure ^a	
			V5055A, F ^b	V5055B	V5055C	V5055D	V5055E
Type	Model	Pressure Rating ^a	On-Off	Characterized Guide ^c	VSOI ^d	On-Off	VSOI ^d
V4055 On-Off	A, G ^e	Standard	•	•		•	
	B	High	• ^f	• ^f		•	
	D ^c , F ^{d e}	Standard			•		•
	E ^d	High			• ^f		•
V4062 High-Low-Off	A	Standard		•	•		
	B	High		• ^f	• ^f		•
	D ^d	Standard			•		
V9055 Modulating	A	Standard		•			
	D ^d	Standard			•		

^a Refer to Table 2 for actual pressure ratings of the various combinations of valves and actuators.

^b V5055F models meet EN161 leakage requirements.

^c Characterized guide provides a more linear relationship between the stem travel and gas flow. Check Honeywell form 70-8311 to verify that flow curve characteristics match application requirements.

^d Valve Seal Overtravel Interlock. Valve has two shutoff seals, actuator has proof-of-closure switch.

^e V4055F, G models include switch for manual control.

^f These combinations have higher pressure ratings; see Table 2.

ORDERING INFORMATION

When purchasing replacement and modernization products from your TRADELINE® wholesaler or distributor, refer to the TRADELINE® Catalog or price sheets for complete ordering number. If you have additional questions, need further information, or would like to comment on our products or services, please write or phone:

1. Your local Honeywell Environmental and Combustion Controls Sales Office (check white pages of your phone directory).
2. Honeywell Customer Care
1885 Douglas Drive North
Minneapolis, Minnesota 55422-4386
3. <http://customer.honeywell.com> or <http://customer.honeywell.ca>

International Sales and Service Offices in all principal cities of the world. Manufacturing in Belgium, Canada, China, Czech Republic, Germany, Hungary, Italy, Mexico, Netherlands, United Kingdom, and United States.

Table 2. V5055 Pressure Ratings

Model	Pipe Size	STANDARD PRESSURE ACTUATORS V4055A, D, F, G V4062A, D V9055A, D				HIGH PRESSURE ACTUATORS V4055B, E V4062B			
		M.O.P.D. ^a		Max. Rated Pressure ^b		M.O.P.D. ^a		Max. Rated Pressure ^b	
STANDARD PRESSURE VALVES V5055A, B, C, F	3/4" to 1-1/2"	5 PSI	340 mbar	15 PSI	1.0 Bar	15 PSI	1030 mbar	15 PSI	1.0 Bar
	2" to 3"	5 PSI	340 mbar	15 PSI	1.0 Bar	15 PSI	1030 mbar	15 PSI	1.0 Bar
	4" flanged	3 PSI	207 mbar	15 PSI	1.0 Bar	5 PSI	340 mbar	15 PSI	1.0 Bar
HIGH PRESSURE VALVES V5055D, E	3/4" to 1-1/2"	5 PSI	340 mbar	75 PSI	5.0 Bar	25 PSI	1720 mbar	75 PSI	5.0 Bar
	2" to 3"	5 PSI	340 mbar	45 PSI	3.0 Bar	15 PSI	1030 mbar	45 PSI	3.0 Bar

^a Max Operating Pressure Differential (UL) or Max Operating Pressure (CSA); maximum allowable pressure drop from inlet to outlet for proper operation.

^b Max rated pressure (UL) or Max Close-off Pressure (CSA); maximum pressure that the valve can be exposed to without leakage or damage to the valve.

Models: See Table 3.

Table 3. Industrial Gas Valve Models.

Model Number	Features
V5055A	Industrial Gas Valve for On-Off service.
V5055B	Industrial Gas Valve with characterized guide for slow opening, HI-LO-OFF, or modulating service.
V5055C	Same as V5055A but incorporates a double seal. Used with the V4055D Actuator to a provide proof-of-closure switch and a valve seal overtravel interlock.
V5055D	Same as V5055A but for high pressure applications.
V5055E	Same as V5055C but for high pressure applications.
V5055F	Same as V5055E but meets the intent of EN161 leakage requirements.

Type of Gas: Natural or liquefied petroleum (LP) only.

Pipe Size: 3/4, 1, 1-1/4, 1-1/2, 2, 2-1/2, 3, and 4 in. (only V5055A,B,C available in 4 in. size).

Pipe Threads: NPT or BSP-PL Threads (equivalent to ISO R7 and DIN 2999). Available on inlet and outlet of 3/4 to 3 inch valves. Four inch valves have flange connections.

Pressure Ratings: See Table 2.

Valve Capacities: See Table 4.

Upstream Tapping and Plug: 1/4 in. NPT or BSP-PL is standard.

Downstream Tapping and Plug:

1/4 in. NPT on most domestic models.
1/8 in. NPT on V5055C1182.

Ambient Operating Temperature Rating:

-40°F to 150°F (-40°C to 66°C); -40°F to 125°F (-40°C to 52°C) when used with V9055.

Table 4. Valve Rated Capacity at 1 in. (2.5 mbar) pressure drop; based on gas with specific gravity of 0.64.

Valve Size (in.)	CSA Rated Capacity	
	cf/h	cu m/hr
3/4	665	18.8
1	960	27.2
1-1/4	1406	39.8
1-1/2	1717	48.6
2	3620	102.5
2-1/2	4250	120.3
3	5230	148.1
4 (V5055A)	10200	288.8
4 (V5055B,C)	9180	259.9

Material: Die-cast aluminum.

Mounting: Mounts directly in the gas supply line.

Dimensions: See Fig. 2 and 3.

Weight:

3/4, 1, 1-1/4, 1-1/2, in. valve: 4 lb. (1.8 kg).

2 in. valve: 8 lb. (3.6 kg).

2-1/2, 3 in. valve: 11 lb. (5.0 kg).

4 in. valve: 28 lb. (12.7 kg).

Table 5. Replacement Bonnet Assemblies.

Valve Model	Valve Size (in.)	Replacement Bonnet Assembly
V5055A (On-Off)	3/4, 1, 1-1/4, 1-1/2	133398AA
	2, 2-1/2, 3	133417AA
	4	Not Available
V5055B (Characterized guide)	3/4, 1, 1-1/4, 1-1/2	133398BA
	2, 2-1/2, 3	133417BA
	4	Not Available
V5055C (Valve-closed indicator)	3/4, 1, 1-1/4, 1-1/2	133398CA
	2, 2-1/2, 3	133417CA
	4	136911CA
V5055D (High pressure On-Off)	3/4, 1, 1-1/4, 1-1/2	Not Available
	2, 2-1/2, 3	Not Available
V5055E (Valve Closed Indicator)	3/4, 1, 1-1/4, 1-1/2	136308BA
	2, 2-1/2, 3	Not Available

Approvals:

The following combinations of V5055 Valves (3/4 through 4 in.) and V4055, V4062 and V9055 Fluid Power Actuators are approved by these agencies:

Underwriters Laboratories Inc. Listed: (File No. MH1639, Guide No. YIOZ):

- V4055A,B,D,E/V5055A,B,C,D,E,F
- V4062/V5055A,B,C,E,F
- V9055/V5055A,B,C,E,F

Swiss Re (Formerly GeGap/IRI) Acceptable:

- V4055A,B,D,E/V5055A,B,C,D,E,F
- V4062/V5055A,B,C,E,F
- V9055/V5055A,B,C,E,F

Factory Mutual Approved (Report No. ID9AZ.AF).

CSA File No. 158158, Class 3371 for USA and Canada:

- V4055A/V5055A,B V4055E/V5055E
- V4055B/V5055D V4062/V5055B,C
- V4055D/V5055C V9055/V5055B,C

NOTE: CSA does not certify models equipped with BSP threads.

British Gas Corporation and Dutch Gas Institute Approved:

- V4055 or V4062 with V5055A1145, A1152, A1178, B1218.

DIN-DVGW Approved (Germany):

- V5055A1145, A1152, A1178, and B1218.

GAS VALVE SIZING

1. Check the burner nameplate for (a) the type of gas used, and (b) the gas flow capacity. The capacity will be listed in Btu/h (Btus per hour) or in cf/h (cubic foot per hour).
2. Call the gas utility for information on (a) the specific gravity (sp gr) and (b) Btu per cubic foot (Btu/cu ft) for type of gas used.

Find the capacity in cf/h. If the capacity is listed in Btu/h, convert to cfh by the following formula:
Capacity in cf/h = $\frac{\text{Btu/h (from burner nameplate)}}{\text{Btu/cu ft (from gas utility)}}$

3. For gases with specific gravities other than 0.64, multiply the burner cfh by the proper conversion factor. See Table 6.

Table 6. Gas Conversion Factors.

Type of Gas	sp gr (average)	Multiply cf/h by:
Manufactured	0.60	0.968
Mixed	0.70	1.046
Propane	1.53	1.546
Butane	1.98	1.759

4. Use the corrected burner capacity in cf/h when determining the gas valve size in Fig. 1.
5. Determine the available pressure drop across the valve and draw a horizontal line at this pressure in Fig. 1.
6. Draw a vertical line in Fig. 1 at the capacity (cf/h) previously determined. Use the corrected capacity for a gas with a specific gravity other than 0.64.
7. Use the valve size at the intersection of the horizontal and vertical lines. If the intersection is between valve sizes, use the next higher size to the right.

TO SIZE TWO IDENTICAL VALVES PIPED IN SERIES

1. Find the cf/h for the type of gas used.
2. Consider both valves as one unit. Determine the total maximum pressure drop across the unit.
3. Find the pressure drop across the first valve by assuming it to be 45 percent of the total pressure drop.
4. Find the valve size from Fig. 1.
5. The second valve will be the same size as the first valve.

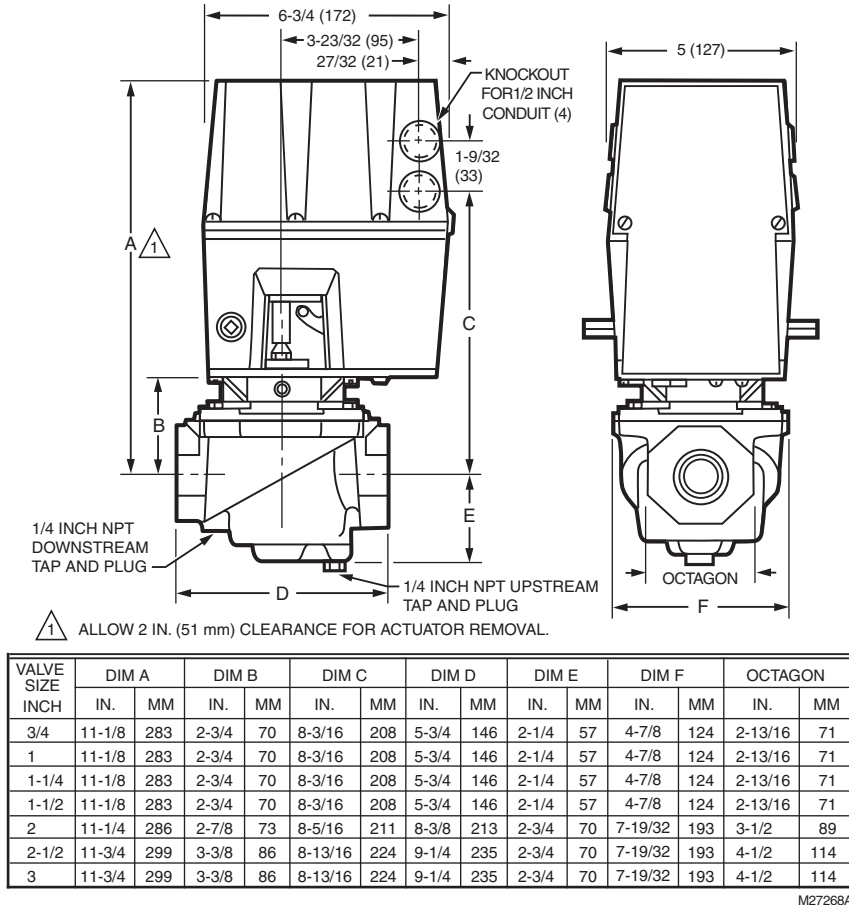


Fig. 2. Approximate dimensions of the 3/4 through 3 in. V5055 Valves, with valve actuator, in in. (mm).

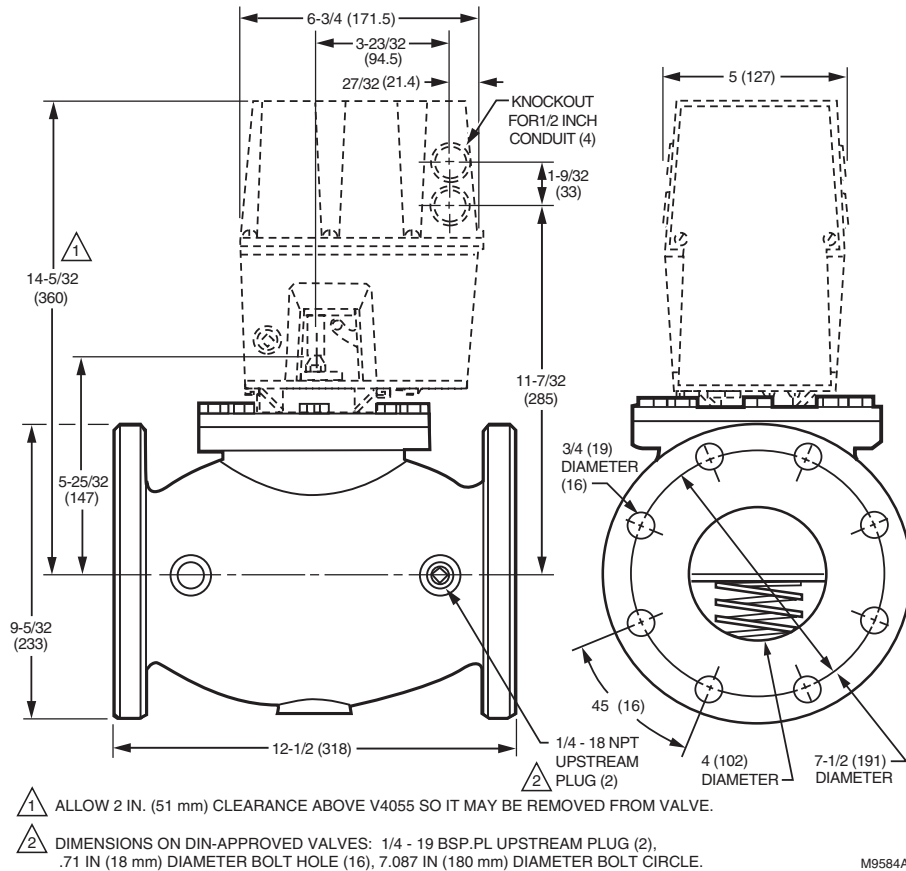


Fig. 3. Approximate dimensions of the 4 in. V5055 Valves, with valve actuator, in in. (mm).

INSTALLATION

IMPORTANT:

The V5055 Valve is designed to provide control of gaseous fuel (natural and LP gas) flow in applications in which there is minimal exposure to water. V5055 Valves used in maritime, beverage, food processing, outdoor and other installations in which occasional exposure to water is experienced may be subject to valve stem and spring corrosion. The presence of corrosion decreases the operating life of the valve. V5055 Valves used in such installations should be inspected at least annually and should have the valve bonnets replaced if corrosion is noted.

A V4055 Valve Actuator with a NEMA 4 rating is also recommended for such installations. The water-tight design of the NEMA 4 rated V4055 Actuator prevents water from entering the V4055 valve stem and spring chamber through the actuator. Under certain conditions, some water may be retained by the external upper portion of the valve body. The retained water is effectively excluded from the valve stem and spring chamber by a functional seal that is incorporated into the NEMA 4 rated actuator.

When Installing This Product...

1. Read these instructions carefully. Failure to follow them could damage the product or cause a hazardous condition.
2. Check the ratings given in the instructions and on the product to make sure the product is suitable for your application.
3. Installer must be a trained, experienced, flame safeguard control technician.
4. After installation is complete, check out product operations as provided in these instructions.

⚠ WARNING

Electrical Shock Hazard and Explosion Hazard. Can cause serious injury, death or property damage.

1. Turn off gas supply before starting installation.
2. Disconnect power supply for valve actuator before beginning installation to prevent electrical shock and equipment damage.
3. Be sure the valve is installed so the arrow on the valve points in the direction of gas flow. (Gas pressure helps to close the valve.)

Location

Install the valve in the gas supply line downstream from the pressure regulator. The valve and actuator may be mounted in any position that allows sufficient clearance for installation and for repair or replacement.

1. The valve position indicators should be easily visible with the valve and actuator in the final position.
2. The final position of the valve and actuator must allow for damper linkage, if used.

IMPORTANT:

Allow room for turning the valve body (actuator not attached) onto the gas piping. Swing dimensions, measured from the center of the pipe are:

- 3/4 through 1-1/2 in. valves: 4 in. (101.6 mm).
- 2 through 3 in. valves: 5 in. (127.0 mm).
- 4 in. valves: 7 in. (177.8 mm).

Mounting (Figs. 4 through 6)

! WARNING

Explosion Hazard.

Can cause serious injury, death or property damage.

If flow is not in the direction of the arrow on the valve body, the valve may not shut off.

1. Use new, properly reamed, pipe, free from chips.
2. Do not thread pipe too far (Fig. 4). Valve distortion or malfunction may result from excess pipe in the valve.

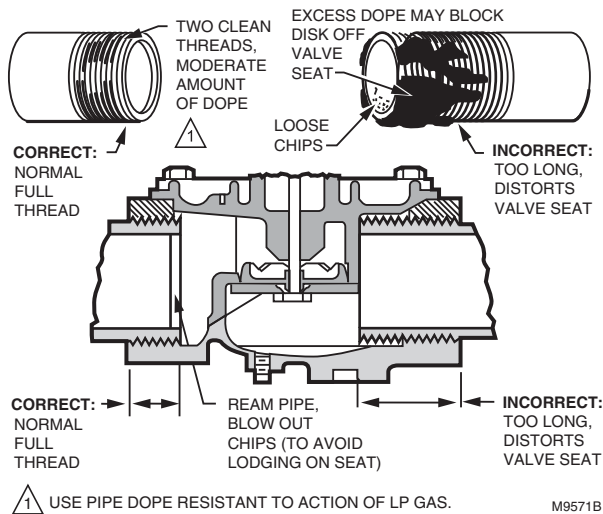


Fig. 4. Preparing the pipes.

3. Remove the protective caps from the ends of the valve. Do not attach the valve actuator until the valve body installation is complete.
4. Apply good quality pipe dope resistant to action of LP gas, putting a moderate amount on the male threads only. Use dope sparingly; if pipe dope lodges on the valve seat, it will prevent proper closure.
5. Install valve with the gas flow in the direction indicated by the arrow on the casting.
6. Apply a parallel jaw wrench only to the flat next to the pipe being inserted (Fig. 5). A wrench applied to the valve body itself, or to the end farthest from the pipe being inserted, may distort the casting, causing a malfunction. Do not use the valve for a lever.
7. Be sure the gas flow is in the same direction as the arrow on the bottom of the valve body.
8. Use two threaded companion flanges, two gaskets (included with valve), and 16 bolts (with washers and nuts) for mounting a 4 in.-V5055 Valve. Mount a

threaded flange and gasket on each end of the valve as shown in Fig. 6. Then screw the pipes into the threaded flanges. Apply dope sparingly, and use wrenches and vises properly as shown in Fig. 4 and 5.

9. *Make sure the power supply is disconnected from the valve actuator.* Then mount the actuator on the valve body and complete the electrical and linkage connections following the instructions packed with the actuator.

OPERATION AND CHECKOUT

Operation

A V5055 Industrial Gas Valve is operated by a V4055, V4062, or V9055 Fluid Power Gas Valve Actuator. The valve opens when the actuator is energized, and closes when power is removed. When closed, the valve seals off against the rated close-off pressure with no power applied. For further information, refer to the Instructions for the actuator.

Checkout

! WARNING

Explosion Hazard.

Can cause serious injury, death or property damage.

Do not allow fuel to accumulate in the combustion chamber. If fuel is allowed to enter the chamber for longer than a few seconds without igniting, an explosive mixture could result.

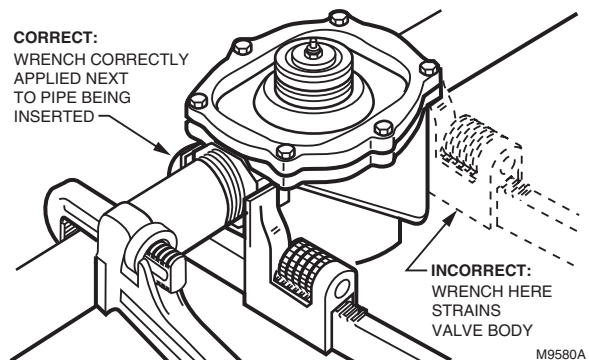
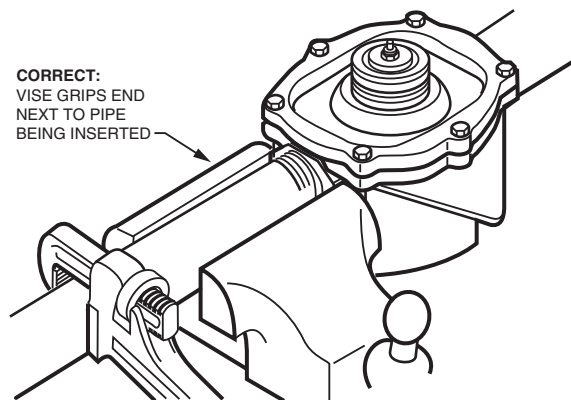


Fig. 5. Installing a 3/4 through 3 in. V5055 Valve.

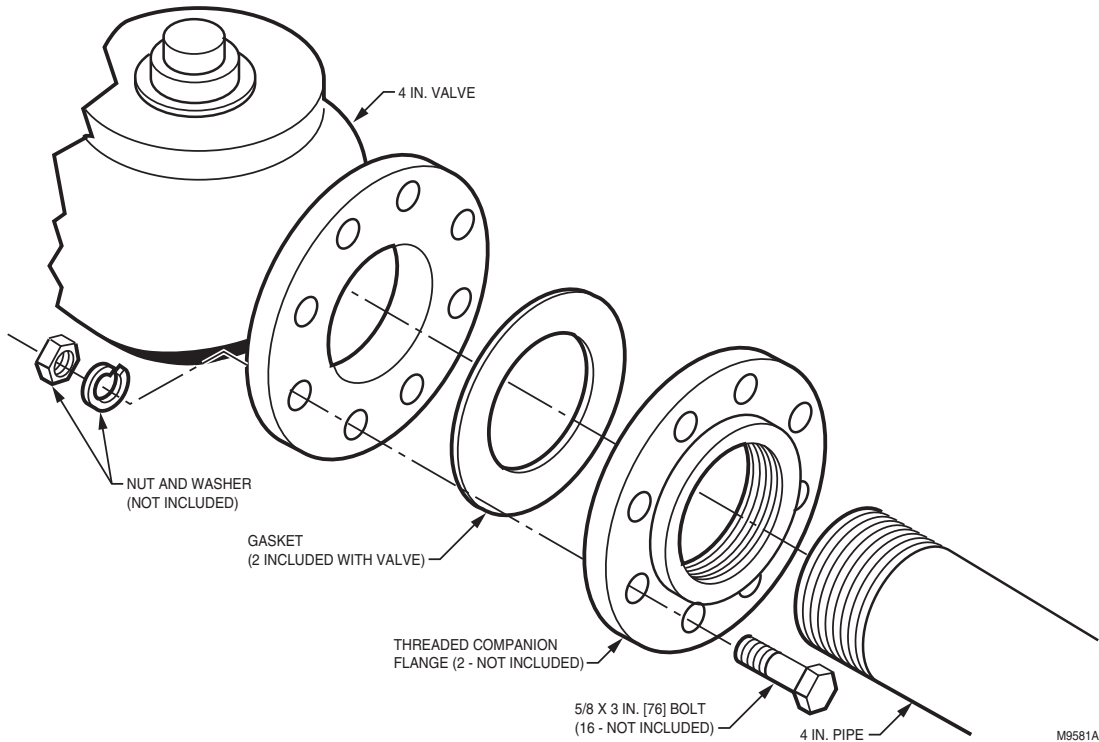


Fig. 6. Installing a 4 in. V5055 Valve.



CAUTION

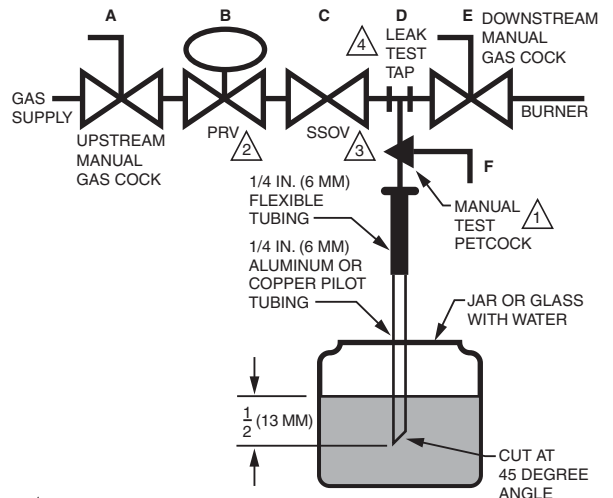
Equipment Damage Hazard.
Operation without proper checkout can damage the equipment.

1. Do not put the system into service until you have satisfactorily completed the following Valve Leak Test, all applicable tests described in the Checkout section of the Instructions for the flame safeguard control, and any other tests required by the burner manufacturer.
2. All tests must be performed by a trained, experienced flame safeguard control technician.
3. Close all manual fuel shutoff valves as soon as trouble occurs.

After the installation is complete, cycle the valve several times with the manual fuel shutoff cock closed. Make sure the valve and actuator function properly. Also perform the Valve Leak Test that follows before putting the valve into service.

Valve Leak Test (Fig. 7)

This is a test for checking the closure tightness of a gas safety shutoff valve. It should be performed by qualified personnel during the initial startup of a burner system, or whenever the valve or valve bonnet is replaced (see Service Information section). It is recommended that this test also be included in the scheduled inspection and maintenance procedures. For a periodic inspection test, follow steps 1, 3, 4, 5, 8, 9, 10, 12, 13, 16, and 17.



- ① CAN ALSO BE A PERMANENT PETCOCK.
- ② PRV = PRESSURE REGULATING VALVE.
- ③ SSOV = SAFETY SHUTOFF VALVE.
- ④ USE ONLY ONE OF THE DOWNSTREAM TAPS ON THE SSOV.

M9547G

Fig. 7. Valve leak test.

1. De-energize the control system to assure that there is no power to the safety shutoff valve (C) shown in Fig. 7.
2. Close the upstream manual gas cock (A).
3. Make sure the manual test petcock (F) is closed in the leak test tap assembly (D).
4. Remove the leak test tap plug and connect the test apparatus to the Leak Tap (D).
5. Close the downstream manual gas cock (E).

6. Open the upstream manual gas cock (A).
7. Run the safety shutoff valve (C) to its fully open position (through the safety system); then immediately de-energize the system to close the valve.
8. Immerse a 1/4 in. tube vertically 1/2 in. (12.7 mm) into a jar of water.
9. Slowly open the test petcock (F).
10. When the rate of bubbles coming through the water stabilizes, count the number of bubbles appearing during a ten-second period. Each bubble appearing during a ten-second period represents a flow rate of approximately 0.001 cfh.

To meet U.S. requirements, leakage must not exceed the values listed in Table 5.

Table 7. Allowable Leakage for V5055 Valves.

V5055 Pipe Size (in.)	Gas specific gravity	Allowable leakage (cc/hr) ^a	Maximum Number of bubbles per 10 sec.	Minimum Number of Seconds for 10 bubbles
3/4" thru 1-1/2"	0.64 nat'l gas	573	14	6.7
	1.00 air	458	9	10.2
	1.57 propane	366	9	10.5
2" thru 3"	0.64 nat'l gas	940	24	4.1
	1.00 air	752	16	6.2
	1.57 propane	602	15	6.4
4"	0.64 nat'l gas	1254	33	3.1
	1.00 air	1003	21	4.6
	1.57 propane	801	21	4.8
V5055F	0.64 nat'l gas	62	-	62
	1.00 air	50	-	93
	1.57 propane	40	-	96

^a Based on standard conditions, test pressures provided by ANSI Z21.21, Section 2.4.2 and a maximum of 235 cc/hr (air) per inch of seal-off diameter. Seal-off diameter is not to be confused with pipe size.

NOTE: For international leak test requirements, contact the office of the appropriate approval agency.

After the test:

11. Close the upstream manual gas cock (A).
12. Close the test petcock (F), remove the test apparatus, and replace the leak test tap plug (D).
13. Open the upstream manual gas cock (A) and energize the safety shutoff valve (C).
14. Test with soap bubbles to assure that there is no leak at the test tap (D).
15. De-energize the safety shutoff valve (C).
16. Open the downstream manual gas cock (E).
17. Restore the system to normal operation. If two safety shutoff valves are utilized, each V5055 valve is to be checked for tightness of closure.

SERVICE INFORMATION

WARNING

Explosion and Electrical Shock Hazard.

Can cause serious injury, death or property damage.

1. Before servicing, turn off the gas supply and disconnect all electrical power to the valve actuator.
2. Only qualified service technicians should attempt to service or repair flame safeguard controls and burner systems.
3. Do not disassemble the valve bonnet assembly; the valve seat is not replaceable.
4. Failure to properly position and seat the seals in the valve body may result in a hazardous gas leak.

Scheduled Inspection and Maintenance

Setup and follow a schedule for periodic inspection and maintenance, including the burner, all other controls, and the valve(s) and actuator(s) for leaking oil. It is recommended that the Valve Leak Test in the Checkout section be included in this schedule. Refer to the Instructions for the primary safety control for more information.

Valve Checkout for Oil Leakage from Actuator

1. Turn off the gas supply at the manual shutoff valve located upstream from the valve(s) being serviced.
2. Shut off all electrical power to the valve actuator(s).
3. Mark and disconnect the wires from the actuator terminals. Remove conduit and disengage the damper linkage assembly (if applicable).
4. Loosen the two set screws from the valve to lift off the actuator.
5. If the actuator is to be replaced and it did not leak hydraulic fluid, skip to Step 11.

NOTE: It is good practice to inspect the inside of the valve whenever the actuator is replaced. To do so, remove the bonnet assembly, inspect the valve and bonnet. If all is well, proceed to Step 7.

6. If the actuator leaked hydraulic fluid onto the valve (the fluid is red), it must be cleaned off from the valve and bonnet assembly.
 - a. Wipe off the outer valve body.
 - b. Remove the valve bonnet bolts and lift off the bonnet.

NOTE: V5055/V5097C and E Valves have additional internal springs that will push the bonnet up as the bolts are loosened.

- c. Inspect the inside of the valve.

IMPORTANT:

If fluid is present on the inside surfaces of the valve body or bonnet surfaces, the bonnet assembly or entire valve must be replaced. For part numbers, refer to "Replacement Parts:" on page 4.

- d. If the inside surfaces are clear of hydraulic fluid, clean the bonnet assembly and be sure to remove all hydraulic fluid from the inside and outside of the actuator mounting curb. This is the "cup-like" area around the valve stem. Avoid using a cleaning solu-

tion as it may damage the rubber seals used in the valve.

7. If the valve bonnet assembly is in good condition and is not replaced, replace the bonnet seal. Do not reuse the old bonnet seal. See "Replacement Parts:" on page 4 for the seal number.
8. Coat seals with grease provided and position in valve body/bonnet assembly.
9. Carefully seat the bonnet assembly on the valve body. Be sure the seals are in their proper position. On those valves with a spring below the disc, be sure the spring is centered in the indentation on the inside of the valve body.
10. After positioning the bonnet assembly, replace the screws removed earlier.

NOTE: When replacing the bonnet assembly on the 4" valve, it must be drawn evenly into the valve body. Finger tighten the 8 screws. Draw the bonnet assembly into the valve by tightening, in order, screws 1, 5, 7, 3 (two turns each). Repeat until the assembly is seated. Tighten the remaining screws.

11. Remount the actuator on the bonnet assembly. Tighten the two set screws (50-60 inch pounds).
12. Replace the damper crank arm assembly.
13. Re-attach the wires removed from the actuator terminals and turn on the electrical power.
14. With the gas still off, cycle the actuator to check for proper mechanical operation.



CAUTION

Be sure to perform a bonnet seal and seat leak check after installation. Be sure to read and follow all instructions that come with the actuators, valves, seal and bonnet kits.

Valve Bonnet Replacement - See Table 5

The entire valve bonnet may be replaced without removing the valve body from the gas line. Do not disassemble the valve bonnet assembly; the valve seat is not replaceable.

For part numbers, refer to Replacement Parts in the Specifications section. Complete instructions for replacing the bonnet assembly are included with the replacement part.

Replacement of Seals (Fig. 8 or 9)

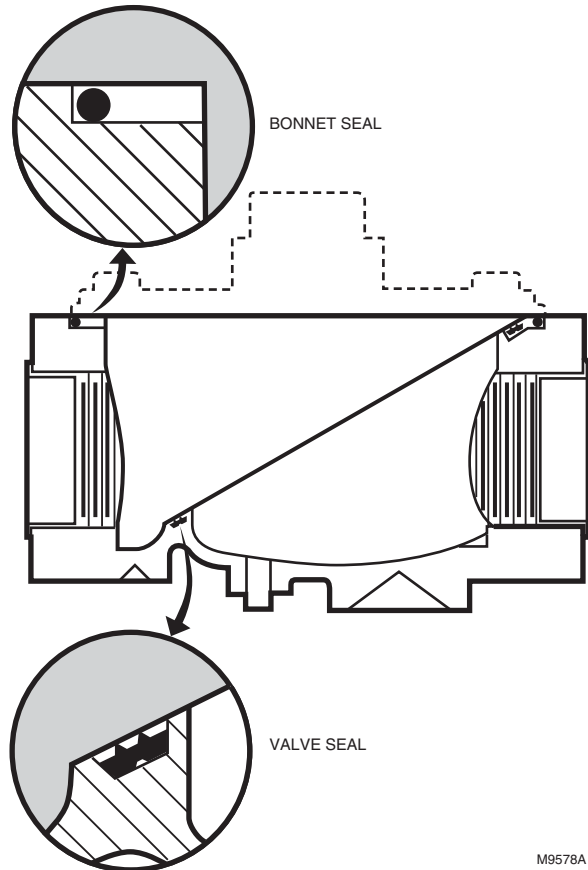
When removing the bonnet to inspect and clean the valve, install new seals (see Replacement Parts in Specifications section). Coat the new seals with the grease provided, and position them in the valve body as shown in Fig. 8 or 9.

Failure to properly position and seat the seals in the valve body may result in a hazardous gas leak.

After the new bonnet assembly is installed, or the bonnet is removed for any reason, check for gas leakage around the bonnet seal. Turn on the gas at the manual valve. Paint the seal area with a rich soap and water solution. Bubbles indicate a gas leak. If a leak is detected, check to see that the bonnet screws are tight. If necessary, turn off the gas again and remove the bonnet to be sure the seals are properly seated.

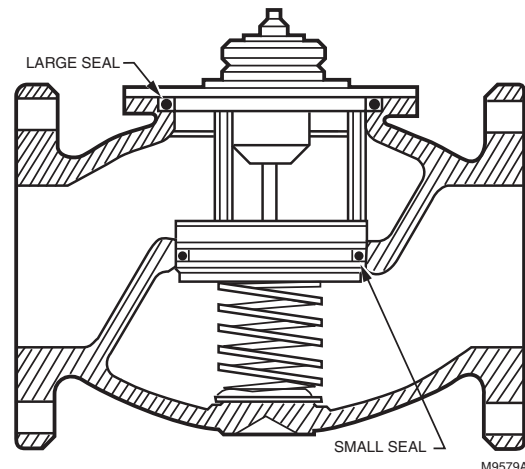
Table 8. Gas Valve Replacement Seals.

Replacement Seal Assy #	Valve Size (in in.)
133393A	3/4, 1, 1-1/4, 1-1/2
133392A	2, 2-1/2, 3
137253A	4



M9578A

Fig. 8. Proper positions of valve and bonnet seals in 3/4 through 3 in. valves.



M9579A

Fig. 9. Proper positions of valve and bonnet seals in 4 in. valves.

Automation and Control Solutions

Honeywell International Inc.

1985 Douglas Drive North

Golden Valley, MN 55422

customer.honeywell.com

© U.S. Registered Trademark
© 2012 Honeywell International Inc.
60-2307-19 JPG Rev. 11-12
Printed in United States

Honeywell