

ML7999C Universal Parallel-Positioning Actuator

PRODUCT DATA



FEATURES

- Universal power supply input.
- Password protected with an eight-digit hexadecimal identification signal.
- 100 lb-in. (11.3 Nm) torque.
- Includes integral position feedback potentiometer.
- Separate wiring compartment between line voltage power wiring and low voltage control.
- Direct coupling shaft interface mounting.
- Couples directly to a 1/2 in. (13 mm) shaft with no additional parts required.
- Couples directly to 5/16 in. (8 mm) and 3/8 in. (9 mm) shafts using available self-centering shaft reduction accessories.
- Shaft coupler assembly available for shafts larger than 1/2 in.
- Bracket Accessory Kit available for mounting to Honeywell V51 Butterfly Gas Valves.
- Visual indication of actuator position.
- NEMA 3 rating with optional weatherproof kit.
- UL, FM, CSA approved.

APPLICATION

ML7999C Universal Parallel-Positioning Actuator provides 100 lb-in. torque, pulse-width-modulating (PWM) control of combustion air dampers, butterfly gas valves, oil modulation valves, and flue gas recirculation systems. The actuator includes a precision feedback potentiometer and integral power supply capable of direct line voltage connection. The ML7999C Actuator is part of the ControlLinks™ Control System, and must be used with the R7999C ControlLinks™ Controller.

SPECIFICATIONS

Model:

ML7999C Universal Parallel-Positioning Actuator. Medium torque electronic actuator with a precision feedback potentiometer and integral power supply capable of direct line voltage connection.

Dimensions: See Fig. 1.

Electrical Ratings:

Power Input: 100 to 240 Vac +10% -15%, 50/60 Hz.
Maximum Power Consumption: 15 VA.

IMPORTANT

Device must be hardwired.

Temperature Range:

Ambient: -40°F to +140°F (-40°C to +60°C).
Storage: -40°F to +150°F (-40°C to +66°C).

Humidity Range (at 95°F [35°C]): 5 to 95 percent relative humidity, noncondensing.

Contents

Application	1
Features	1
Specifications	1
Ordering Information	2
Installation	3
Wiring	4
Operation	5
Checkout And Troubleshooting	8



Vibration: 0.0 to 0.5g continuous (V2 level).

Control Signal (at 5 mA current):

Drive Clockwise: Minimum 4.25 Vdc differential between DR1-DR2.

Drive Counterclockwise: Maximum -4.25 Vdc differential between DR1-DR2.

NOTE: Actuator does not respond until the 8-digit ID signal from the R7999C is passed via DR1-DR2.

Actuator Stroke: 95° nominal ± 3°, mechanically limited.

Output Hub Position Accuracy: ±0.1°.

Torque Ratings at Rated Voltages:

Lift and Hold Minimum: 100 lb-in. (11.3 Nm).

Breakaway Minimum: 100 lb-in. (11.3 Nm).

Stall Minimum: 100 lb-in. (11.3 Nm).

Stall Maximum: 150 lb-in. (17 Nm).

Actuator Design Life (at 100 lb-in.):

Full-Stroke Cycles: 100,000 minimum.

Repositions: 2,000,000 minimum.

Feedback Potentiometer: Total Resistance: 5000 ohms ±10%.

Actuator Timing (90° Travel):

Standard: 24 to 30 seconds.

Derated Cold-Start Timing (from -40°F to -20°F (-40°C to -29°C): 150 seconds maximum.

Noise Rating: 55 dBA maximum at 1m during normal operation.

Mounting:

Mounts directly on 1/2 in. (13 mm) round or square shaft.

With proper accessories, mounts to 5/16 in. and 3/8 in. (8 mm, 10 mm) round or square shafts; 9/16 in., 5/8 in., and 3/4 in.

(14 mm, 16 mm, and 19 mm) round shafts.

IMPORTANT

Tighten hub setscrews to a torque of 60 lb-in. ±10 lb-in.

Position Indicator: Visible with cover on device.

Approvals:

Underwriters Laboratories Inc.: File No. MH17367

FM Approved.

CSA Approved.

ISO23552-1 for Canada.

Enclosure: NEMA2/IP50.

Accessories:

201391 Shaft Adapter for 3/8 in. round or square shaft.

32003167-001 Shaft Adapter for 5/16 in. round or square shaft.

32003168-001 Shaft Adapter for 3/4 in. diameter round shaft.

32003168-002 Shaft Adapter for 5/8 in. diameter round shaft.

32003168-003 Shaft Adapter for 9/16 in. diameter round shaft.

32003396-001 V51 Mounting Bracket for 1-1/2 in. and 2 in. valves.

32003396-002 V51 Mounting Bracket for 2-1/2 in., 3 in. and 4 in. valves.

32002935-001 ML7999 NEMA3/IP54 Weatherproof Kit.

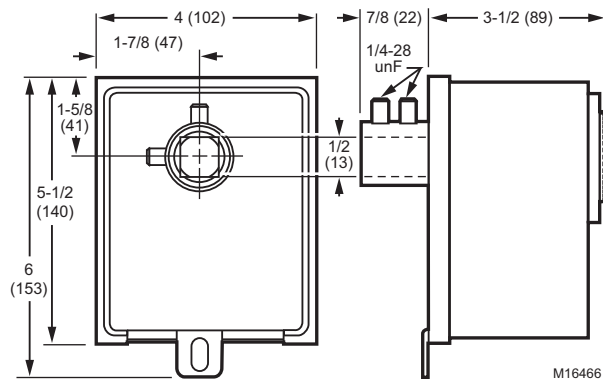


Fig. 1. ML7999C dimensions in in. (mm).

ORDERING INFORMATION

When purchasing replacement and modernization products from your TRADELINE® wholesaler or distributor, refer to the TRADELINE® Catalog or price sheets for complete ordering number. If you have additional questions, need further information, or would like to comment on our products or services, please write or phone:

1. Your local Honeywell Environmental and Combustion Controls Sales Office (check white pages of your phone directory).
2. Honeywell Customer Care
1985 Douglas Drive North
Golden Valley, Minnesota 55422-4386
3. <http://customer.honeywell.com> or <http://customer.honeywell.ca>

International Sales and Service Offices in all principal cities of the world. Manufacturing in Belgium, Canada, China, Czech Republic, Germany, Hungary, Italy, Mexico, Netherlands, United Kingdom, and United States.

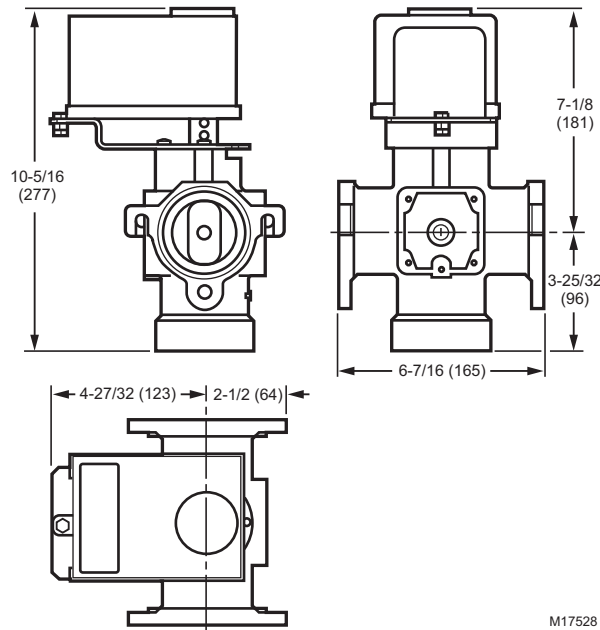


Fig. 2. V5197A Firing Rate Gas Valve, with mounting bracket (included) and ML7999C Actuator (not supplied), dimensions in in. (mm).

INSTALLATION

When Installing this Product...

1. Read these instructions carefully. Failure to follow them could damage the product or cause a hazardous condition.
2. Check the ratings given in the instructions and on the product to make sure the product is suitable for your application.
3. Installer must be a trained, experienced service technician.
4. After installation is complete, check out product operation as provided in these instructions.



WARNING

Fire or Explosion Hazard.
Can cause property damage, severe personal injury, or death.

Tighten the hub setscrews to a torque of 60 lb-in. (7 N•m).



WARNING

Electrical Shock Hazard.
Can Cause serious injury or death.

Disconnect power supply before installation.

Location



CAUTION

Actuator Damage Hazard.
Deteriorating vapors and acid fumes can damage the actuator metal parts.

Install actuator in areas free of acid fumes and other deteriorating vapors.



CAUTION

Equipment Damage Hazard.
Temperature extremes will damage actuator.

Do not locate actuator where ambient temperatures will exceed the limits listed in the Specifications section.



CAUTION

Equipment Damage Hazard.
Excessive vibration will damage actuator.

Do not locate actuator where vibration will exceed the limits listed in the Specifications section.

Mounting ML7999C Actuator

The actuator mounts on a 1/2 in. round or square shaft. For shafts smaller than 1/2 in., self-centering adapters are available for 5/16 in. and 3/8 in. shafts. For shafts larger than 1/2 in., adapters are available for 5/8 in., 3/4 in., and 9/16 in.



CAUTION

Equipment Damage Hazard.
Lateral forces on actuator hub will damage actuator.

Make sure actuator is mounted square with bracket and with shaft centered in actuator hub or binding can occur, damaging the actuator.

1. Place the actuator over the shaft, see Fig. 3.
2. Position and seat the actuator.
3. Rotate the shaft to match the actuator position.
4. Install the mounting bracket accessory (not included), if needed. See Fig. 4.
5. Partially tighten hub setscrews to ensure actuator seats firmly against mounting bracket with shaft centered in hub.
6. Tighten the anti-rotation bolt to the torque recommendation for the selected bolt/nut.
7. Tighten the hub setscrews against the shaft to a torque of 60 lb-in.

Mounting the ML7999C Actuator on V5197A Firing Rate Gas Valve. (Fig. 2)

! WARNING

Explosion Hazard and Electrical Shock Hazard. Can cause severe injury, death or property damage.

1. Turn off gas supply before starting installation.
2. Disconnect power supply for valve actuator before beginning installation and wiring. More than one disconnection can be involved.
1. Attach the mounting bracket for the ML7999C Actuator (supplied with the V5197 Valve) in the position that best suits the valve location, access space and wiring requirements.
2. Place the short end of the V5197 valve drive stem in the top of the V5197 Valve drive so that the rectangular portion of the drive stem is inside the valve drive.
3. Mount the ML7999C Actuator on the V5197 Valve and secure the actuator to the mounting bracket with the supplied screws.
4. Wire the ML7999C Actuator per the instructions in the Wiring section.
5. Restore power to the system.

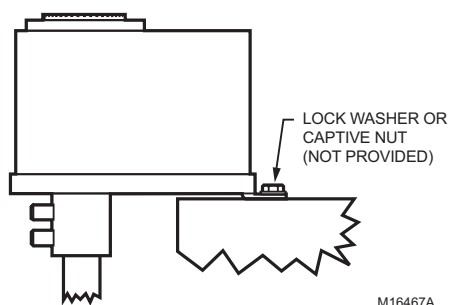


Fig. 3. Mounting ML7999C.

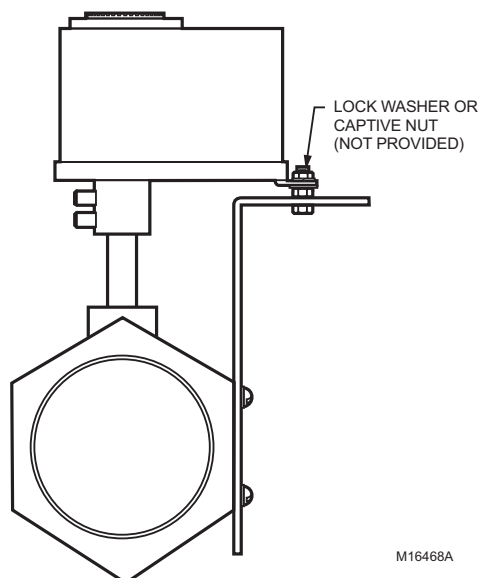


Fig. 4. Mounting ML7999C with mounting bracket accessory.

WIRING

! WARNING

Electrical Shock Hazard.

Can cause severe injury or death.

Disconnect power supply before installation.

All wiring must comply with local electrical codes, ordinances and regulations. The ML7999C is designed for used with a Class 2 power supply for low voltage. Voltage and frequency of the transformer must correspond with the characteristics of both the actuator and the power supply.

IMPORTANT

Run line voltage and low voltage wiring in separate conduit to avoid signal interference.

Earth Ground

Earth ground is required for proper operation of the ControLinks™ system. Earth ground provides a connection between the subbase and the control panel of the equipment. The earth ground must be capable of conducting enough current to blow the fuse or breaker in the event of an internal short.

1. Use wide straps or brackets to provide minimum length, maximum surface area ground conductors. If a leadwire must be used, use 14 AWG copper wire.
2. Make sure that mechanically tightened joints along the ground path are free of nonconductive coatings and protected against corrosion on mating surfaces.

Shield Ground

Connect the shield ground of the ML7999C Actuator(s), Remote Reset, Manual Potentiometer, Controller 4-to-20 mA and Auxiliary 4-to-20 mA inputs to the earth ground strip provided in the Q7999 Universal Subbase. Connect the shield at the controller end only. See Fig. 6.

Preparation

Use OEM-supplied 1/2 in. conduit connectors in the low- and line- voltage base openings; the motor has separate line- and low-voltage wiring compartments. Use Belden 9535, 5-conductor, 100% shield coverage, 300V, 80°C (UL2464, CSA PCC FT4), or equivalent for low voltage wiring.

Wiring Procedures

IMPORTANT

Device must be hardwired.

1. Remove the cover from the actuator.
2. Pull back the snap-locks while opening the low-voltage compartment. See Fig. 5.
3. Wire the low-voltage circuit to the R7999. See Fig. 6 for typical wiring connections.
4. Close the low-voltage compartment.
5. Wire the line-voltage circuit. See Fig. 6 for typical wiring connections.
6. Replace the cover on the actuator.

OPERATION

ML7999C Universal Parallel-Positioning Actuator is designed to operate combustion air dampers, butterfly gas valves, oil modulation valves, and flue gas recirculation systems requiring up to 100 lb-in. torque. An R7999C controller operates the ML7999C.

The actuator has a position indicator that shows shaft position. As the indicator moves with the shaft, it provides an angular representation of the shaft position.

IMPORTANT

When the cover is removed and replaced, the position indicator will not operate until manually rotated clockwise to engage it. An audible click indicates the position indicator is engaged.

NOTE: While installing the actuator, the hub can be manually driven using the push buttons located under the cover. The buttons are labeled CW and CCW. To use them, the only required wiring connections are L1, L2, and GND. However, after the device is installed and wired to the R7999, do not use these buttons for anything but troubleshooting.

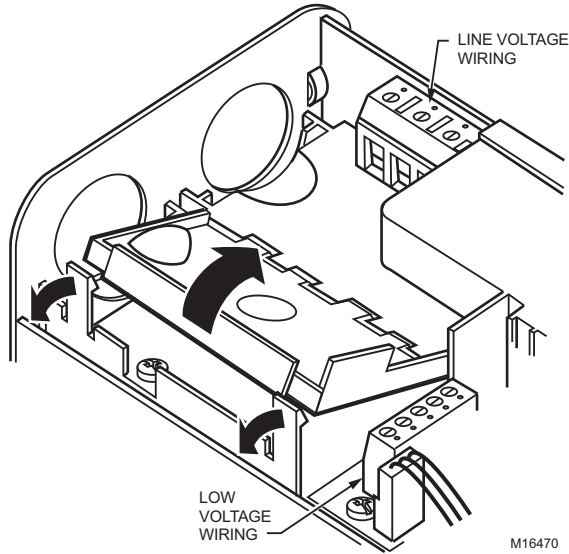


Fig. 5. Opening ML7999C low-voltage wiring compartment.

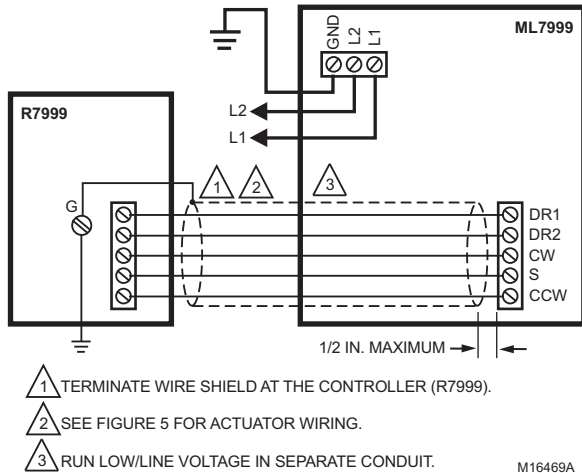


Fig. 6. Typical ML7999C wiring.

Password Protection (ID Signal)

Before using the actuator, the ID signal must be set. See the software interface instructions for details. After this signal is set, the R7999C sends the signal to operate the actuator. Until the appropriate ID signal is sent, the actuator is offline and responds only to its own ID signal. (See Table 1.)

Table 1. On-Board LED Indications

LED	Online	Configured	Meaning	Notes
Fast Blink	No	Yes	Awaiting ID signal.	Responds only to ID signal.
Slow Blink	Yes	Yes	ID signal recognized.	Monitors signals for operation or offline commands.
Steady On	No	No	Actuator has failed.	Return actuator to factory.

Actuator Initial Setup

IF the system is being commissioned, perform the following to set the ML7999C and linkage/damper of the air/fuel/fgr.

1. During the actuator setup, use the auto seek closed or the CW/CCW buttons to find the mechanical fixed stop of the actuator. The air/fuel/fgr is not connected at this time.

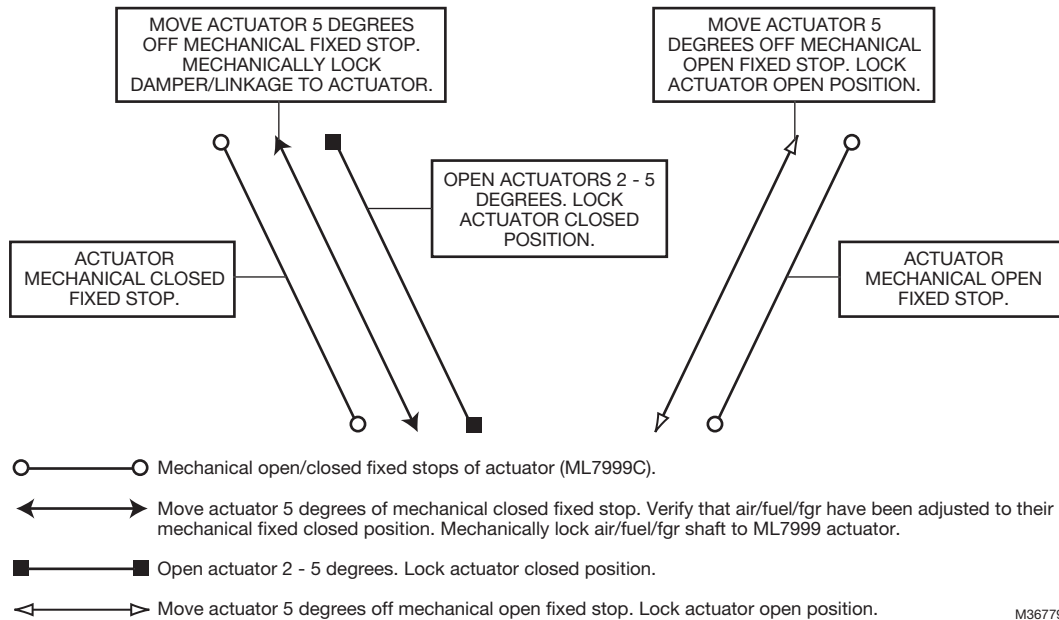


Fig. 7. Mechanical end stop changes for auto seek open/closed function.

2. Auto seek closed to find the actuator mechanical closed fixed stop. See Fig. 8.

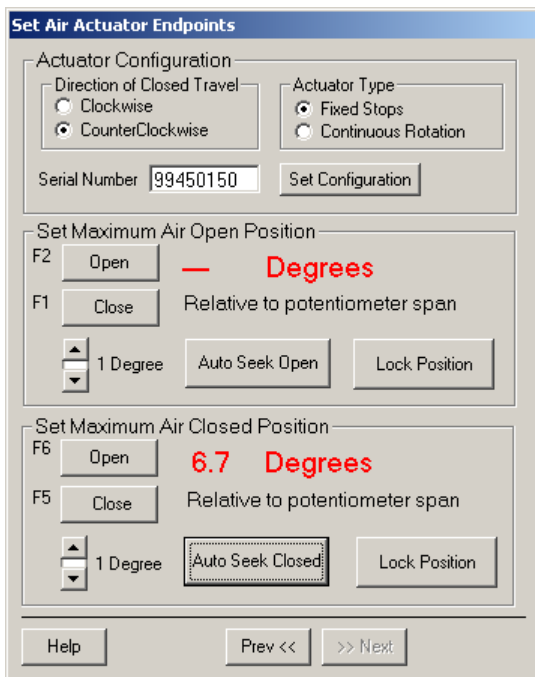


Fig. 8. Auto seek closed to find actuator mechanical closed fixed stop.

3. Move the actuator closed position five (5) degrees off the mechanical closed fixed stop. See Fig. 9.

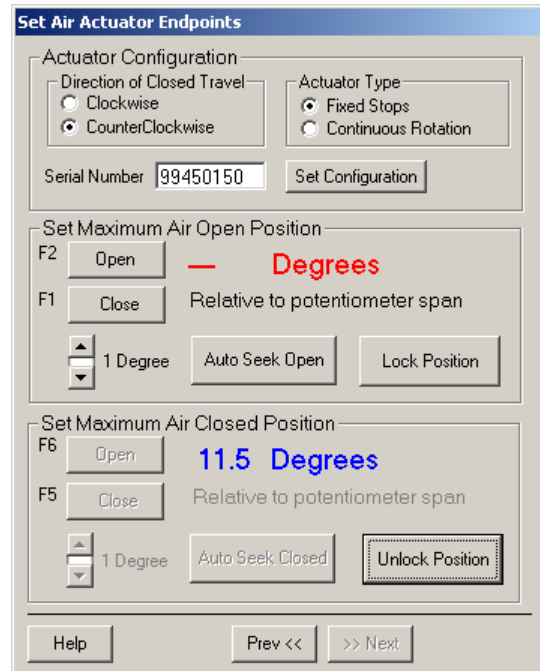


Fig. 9. Move actuator closed position five degrees off mechanical closed fixed stop.

4. Verify that the gas/fuel/fgr linkage/dampers are at their closed positions.
5. Tighten the set screws on the actuator.

- Move the actuator/linkage/damper two to five degrees off the linkage/damper mechanical closed fixed stop. Lock actuator closed position. See Fig. 10.

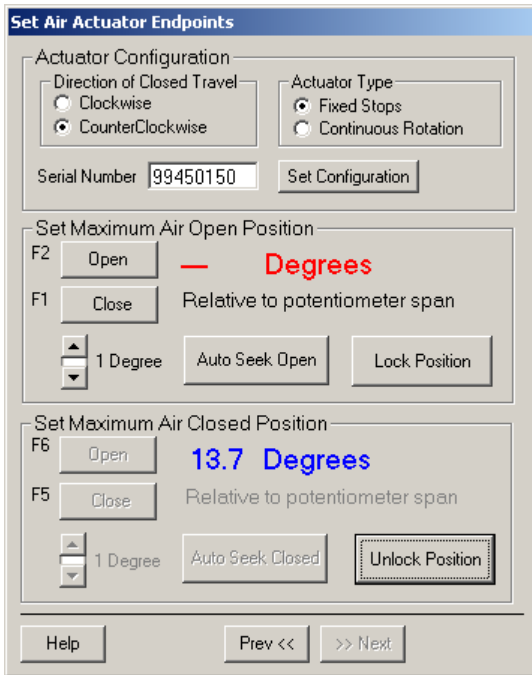


Fig. 10. Move actuator/linkage/damper 2-5 degrees off mechanical closed fixed stop.

- Auto seek open to actuator mechanical open fixed stop. See Fig. 11.

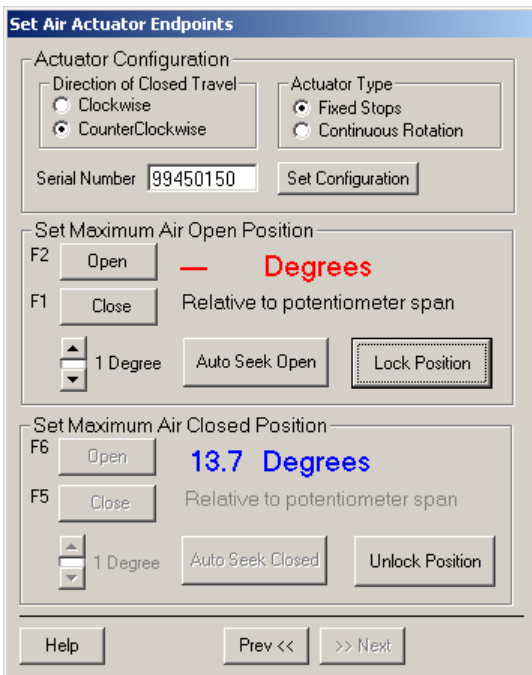


Fig. 11. Auto seek open to actuator mechanical open fixed stop.

- Move the actuator five (5) degrees off the mechanical open stop. See Fig.12.

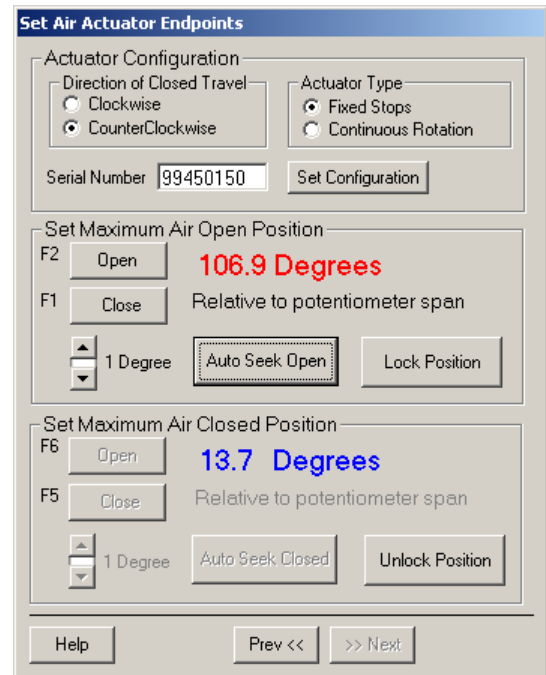


Fig. 12. Move actuator five degrees off the mechanical open stop.

- Lock actuator open position. See Fig. 13.

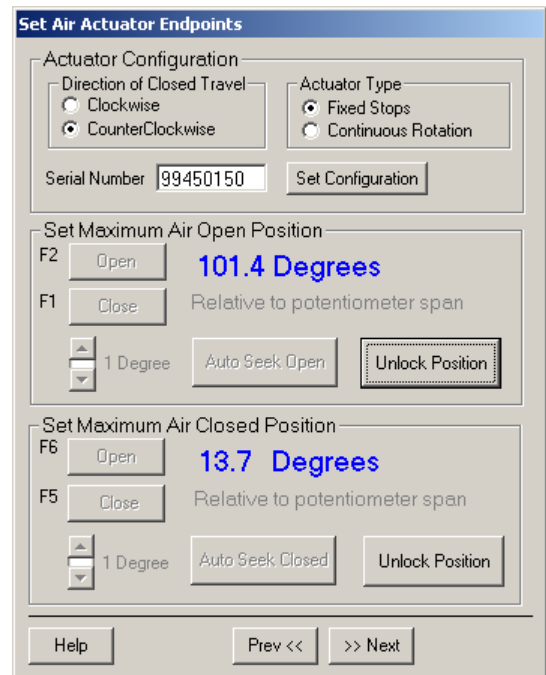


Fig. 13. Lock actuator open position.

CHECKOUT AND TROUBLESHOOTING

Checkout

Refer to R7999C literature and (form 32-00081EF) for system checkout.

Troubleshooting

If the actuator does not operate properly during Checkout, perform the following troubleshooting steps. Perform these steps before replacing the actuator:

1. Check the actuator label to make sure the power and control signal requirements are correct for the application.
2. Check for the presence of 120-240 Vac at the actuator (L1) and (L2) connections when the actuator should be driving. If the voltage is not present or is low, check the power supply.
3. Ensure actuator stroke matches stroke of damper or valve.
 - a. Remove the cover.
 - b. Press the button labeled CW. The actuator should drive the device clockwise.
 - c. Press the button labeled CCW. The actuator should drive the device counterclockwise.
4. If the actuator operates properly, check the controller for proper output signals.
5. If the actuator does not drive, remove power, disconnect the actuator hub, and try to turn the shaft clockwise and counterclockwise. If the shaft turns freely throughout the 90-degree stroke and the actuator is installed properly, replace the actuator.
6. If the shaft does not turn freely for the full 90 degrees, check for binding. If necessary, adjust mounting to prevent binding.
7. If the device shaft does not turn freely, fix or replace the device.
8. If the device shaft turns, reconnect the actuator and wiring and drive the actuator hub clockwise and counterclockwise. If the actuator does not drive, replace the actuator.
9. If the actuator and device shaft turn freely, remount the actuator to the device according to instructions in the Installation section. Make sure the actuator does not bind and that the actuator and device are both at the same clockwise or counterclockwise end stop when assembled. Hook up the wires and repeat the Checkout procedures. Troubleshoot if necessary.

Home and Building Technologies

In the U.S.:

Honeywell

1985 Douglas Drive North

Golden Valley, MN 55422-3992

customer.honeywell.com

Honeywell

Actionneur universel à repositionnement parallèle ML7999C



APPLICATION

L'actionneur universel à repositionnement parallèle ML7999C fournit un couple de 100 lb-po et comporte une commande à modulation d'impulsions en durée (PWM) des registres d'air de combustion, en plus d'être muni de vannes papillon à gaz, de vannes de modulation à l'huile et de systèmes de recirculation des gaz de combustion. L'actionneur comprend un potentiomètre de réaction de précision et une alimentation intégrée offrant la possibilité d'un raccordement direct à la tension secteur. L'actionneur ML7999C fait partie du système de régulation ControLinks^{MC}, et il doit être utilisé avec le contrôleur R7999C ControLinks^{MC}.

CARACTÉRISTIQUES

- Entrée pour alimentation électrique universelle.
- Protection par mot de passe à signal d'identification à huit caractères hexadécimaux.
- Couple de 11,3 N.m (100 lb-po).
- Comprend un potentiomètre de réaction de position intégrée.
- Compartiment de câblage séparé pour le câblage de la tension de secteur et pour le câblage de la commande à basse tension.
- Montage de l'axe à accouplement direct.
- Se couple directement à un axe de 1/2 po (13 mm) sans pièce supplémentaire.
- Se couple directement à des axes de 5/16 po (8 mm) et de 3/8 po (9 mm) à l'aide d'accessoires de réduction d'axe auto-centreurs.
- Ensembles coupleur d'axe disponibles pour les axes de plus de 1/2 po.
- Trousse de montage adaptée au montage sur des vannes papillon à gaz Honeywell V51.
- Témoin visuel de la position de l'actionneur.
- Homologation à la norme NEMA 3 avec la trousse de protection optionnelle contre les intempéries.
- Approuvé UL, FM et CSA.

DONNÉES TECHNIQUES

Modèle :

Actionneur universel à repositionnement parallèle ML7999C. Actionneur électronique à couple moyen doté d'un potentiomètre de réaction de précision et d'une alimentation intégrée offrant la possibilité d'un raccordement direct à la tension secteur.

Dimensions : Voir la Fig. 1.

Table des matières

Application	1
Caractéristiques	1
Données techniques	1
Pour commander	2
Installation	3
Câblage	4
Fonctionnement	5
Vérification et dépannage	8

Caractéristiques électriques :

Alimentation électrique : de 100 à 240 Vca +10 %/-15 %, 50/60 Hz.
Consommation électrique maximale : 15 VA.

IMPORTANT

L'unité doit être câblée.

Plage de températures :

Ambiantes : de -40 °C à 60 °C (-40 °F à 140 °F).
Entreposage : de -40 °C à 66 °C (-40 °F à 150 °F).

Taux d'humidité (à 35 °C [95 °F]) : de 5 à 95 % d'humidité relative, sans condensation.

Vibration : de 0,0 à 0,5 g en continu (niveau V2).

Signal de commande (à un courant de 5 mA) :

Entraînement horaire : minimum de 4,25 Vcc différentiel entre DR1 et DR2.
Entraînement antihoraire : maximum de -4,25 Vcc différentiel entre DR1 et DR2.

REMARQUE : L'actionneur ne répond pas avant que le signal d'identification à 8 caractères provenant du contrôleur R7999C ne soit transmis par DR1 et DR2.

Course de l'actionneur : 95° nominal $\pm 3^\circ$, limité mécaniquement.

Précision de la position du moyeu de sortie : $\pm 0.1^\circ$.

Couples nominaux aux tensions nominales :

Couple de levage et de maintien minimal : 11,3 N.m (100 lb-po).
Couple de manœuvre minimal : 11,3 N.m (100 lb-po).
Couple de maintien minimal : 11,3 N.m (100 lb-po).
Couple de maintien maximal : 17 N.m (150 lb-po).

Durée de vie de l'actionneur (à 100 lb-po) :

Courses complètes : 100 000 courses au minimum.
Repositionnements : 2 000 000 au minimum.

Potentiomètre de réaction :

Résistance totale : 5 000 ohms $\pm 10\%$.

Temps de réponse de l'actionneur (course de 90°) :

Standard : de 24 à 30 secondes.
Temps de réponse pour un démarrage à froid à régime réduit (entre -40 °C et -29 °C [-40 °F et -20 °F]) : 150 secondes au maximum.

Niveau sonore : 55 dBA au maximum à 1 m pendant le fonctionnement normal.

Montage :

Se monte directement sur un axe carré ou rond de 1/2 po (13 mm).
Avec les bons accessoires, se monte sur un axe carré ou rond de 5/16 po (8 mm) ou de 3/8 po (10 mm), ou sur un axe rond de 9/16 po (14 mm), de 5/8 po (16 mm) ou de 3/4 po (19 mm).

IMPORTANT

Serrez les vis de réglage du moyeu à un couple de 60 lb-po ± 10 lb-po

Indicateur de position : Visible avec le couvercle installé sur l'unité.

Homologations :

Underwriters Laboratories inc. : dossier n°. MH17367
Homologué FM.
Homologué CSA.
Homologué ISO 23552-1 pour le Canada.

Boîtier : Certifié NEMA2/IP50.

Accessoires :

201391 Adaptateur d'axe pour axe carré ou rond de 3/8 po.
32003167-001 Adaptateur d'axe pour axe carré ou rond de 5/16 po.
32003168-001 Adaptateur d'axe pour axe rond de 3/4 po de diamètre.
32003168-002 Adaptateur d'axe pour axe rond de 5/8 po de diamètre.
32003168-003 Adaptateur d'axe pour axe rond de 9/16 po de diamètre.
32003396-001 Support de montage V51 pour vannes de 1 1/2 po et 2 po.
32003396-002 Support de montage V51 pour vannes de 2 1/2 po, 3 po et 4 po.
32002935-001 Trousse de protection contre les intempéries ML7999 homologuée NEMA3/IP54.

POUR COMMANDER

Au moment d'acheter des produits de modernisation ou de remplacement auprès de votre grossiste ou distributeur TRADELINE®, consultez le catalogue TRADELINE® ou les tarifs pour obtenir le numéro de pièce. Prière d'adresser toute question additionnelle, demande d'information ou commentaires sur les produits et services par écrit ou par téléphone :

1. Au bureau des ventes de la Régulation d'ambiance et de combustion Honeywell de votre localité (consulter les pages blanches de l'annuaire téléphonique).
2. À Honeywell Customer Care
1985 Douglas Drive North
Golden Valley, Minnesota 55422-4386
3. <http://customer.honeywell.com> ou <http://customer.honeywell.ca>

Points de vente et de service dans toutes les grandes villes du monde. Fabriqué en Belgique, au Canada, en Chine, en République tchèque, en Allemagne, en Hongrie, en Italie, au Mexique, aux Pays-Bas, au Royaume-Uni et aux États-Unis.

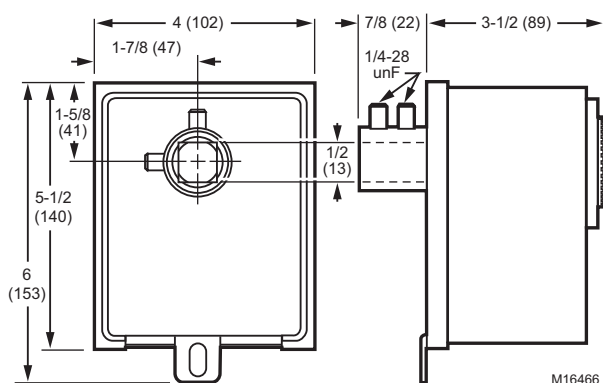


Fig. 1. Dimensions en po (mm) du ML7999C.

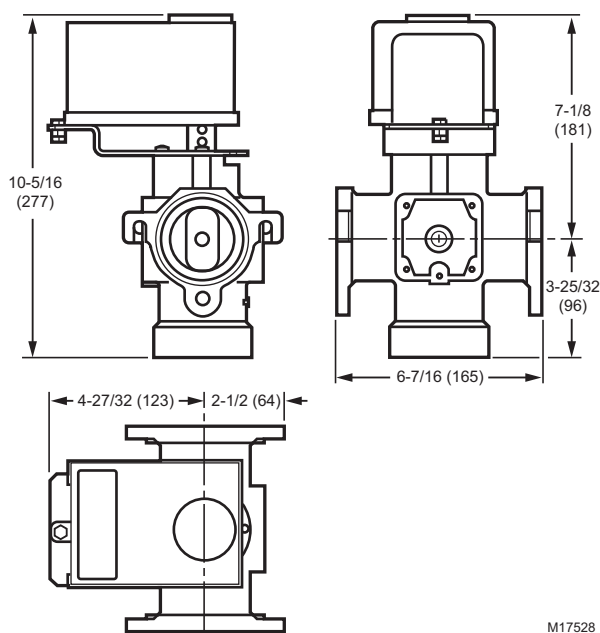


Fig. 2. Régulateur de débit du brûleur à gaz V5197A, avec support de montage (inclus) et actionneur ML7999C (non fourni), dimensions en po (mm).

INSTALLATION

Lorsque vous installez ce produit...

1. Lisez ces instructions attentivement. Le non-respect de ces consignes peut entraîner l'endommagement du produit ou entraîner des conditions dangereuses.
2. Vérifiez les valeurs nominales indiquées dans les instructions et sur le produit pour vous assurer que le produit convient à votre application.
3. L'installateur doit être un technicien en entretien formé et expérimenté.
4. Une fois l'installation terminée, vérifiez le fonctionnement du produit de la manière décrite dans ces instructions.

⚠ AVERTISSEMENT

**Risque d'incendie ou d'explosion.
Peut causer des blessures graves, le décès ou des dommages matériels.**

Serrez les vis de réglage du moyeu à un couple de 7 N.m (60 lb-po).

⚠ AVERTISSEMENT

**Danger de décharge électrique.
Peut causer des blessures graves ou le décès.**
Débranchez l'alimentation avant de commencer l'installation.

Emplacement

⚠ MISE EN GARDE

**Risque d'endommagement de l'actionneur.
Les vapeurs destructrices et les vapeurs d'acides peuvent endommager les pièces métalliques de l'actionneur.**

Installez l'actionneur à un endroit non exposé aux vapeurs d'acides ou à d'autres vapeurs destructrices.

⚠ MISE EN GARDE

**Risque d'endommagement de l'équipement.
Les températures extrêmes endommagent l'actionneur.**

Ne pas installer l'actionneur à un endroit où les températures ambiantes dépassent les limites prescrites dans la section Spécifications.

⚠ MISE EN GARDE

**Risque d'endommagement de l'équipement.
Des vibrations excessives endommagent l'actionneur.**

Ne pas installer l'actionneur à un endroit où les vibrations dépassent les limites prescrites dans la section Spécifications.

Montage de l'actionneur ML7999C

L'actionneur se monte sur un axe carré ou rond de 1/2 po. Pour un montage sur un axe de diamètre inférieur à 1/2 po, utilisez un adaptateur auto-centreur adapté aux axes de 5/16 po et de 3/8 po. Pour un montage sur un axe de diamètre supérieur à 1/2 po, utilisez un adaptateur adapté aux axes de 5/8 po, de 3/4 po ou de 9/16 po.

⚠ MISE EN GARDE

**Risque d'endommagement de l'équipement.
Les forces latérales exercées sur le moyeu de l'actionneur endommagent l'actionneur.**

Assurez-vous de monter l'actionneur à angle droit par rapport au support, en centrant l'axe dans le moyeu de l'actionneur; autrement, l'axe pourrait plier et endommager l'actionneur.

1. Placez l'actionneur sur l'axe; voir la Fig. 3.
2. Placez l'actionneur et installez-le.
3. Tournez l'axe en fonction de la position de l'actionneur.
4. Installez le support de montage (non inclus) au besoin. Voir la Fig. 4.
5. Serrez partiellement les vis de réglage du moyeu pour vous assurer que l'actionneur est placé fermement contre le support de montage avec l'axe bien centré dans le moyeu.
6. Serrez le boulon antirotation au couple recommandé pour le boulon/écrou sélectionné.
7. Serrez les vis de réglage du moyeu contre l'axe à un couple de 60 lb-po.

Montage de l'actionneur ML7999C sur un régulateur de débit du brûleur à gaz V5197A. (Fig. 2)

AVERTISSEMENT

Risque d'explosion et de décharge électrique. Peut causer des blessures graves, le décès ou des dommages matériels.

1. Fermez la vanne d'alimentation en gaz avant de commencer l'installation.
2. Débranchez l'alimentation de l'actionneur de vanne avant de commencer l'installation et le câblage. Plus d'un débranchement peut être nécessaire.
1. Fixez le support de montage de l'actionneur ML7999C (fourni avec le régulateur V5197) dans la position la mieux adaptée à l'emplacement du régulateur, en fonction de l'espace d'accès et des exigences de câblage.
2. Placez l'extrémité courte de la tige d'entraînement du régulateur V5197 dans le haut de l'entraînement du régulateur V5197 de façon à ce que la partie rectangulaire de la tige se trouve à l'intérieur de l'entraînement.
3. Montez l'actionneur ML7999C sur le régulateur V5197, puis fixez l'actionneur sur le support de montage à l'aide des vis fournies.
4. Câblez l'actionneur ML7999C conformément aux instructions de la section Câblage.
5. Rétablissez l'alimentation du système.

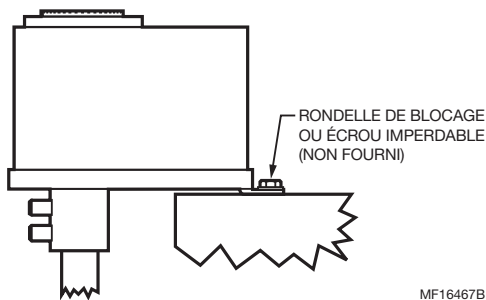
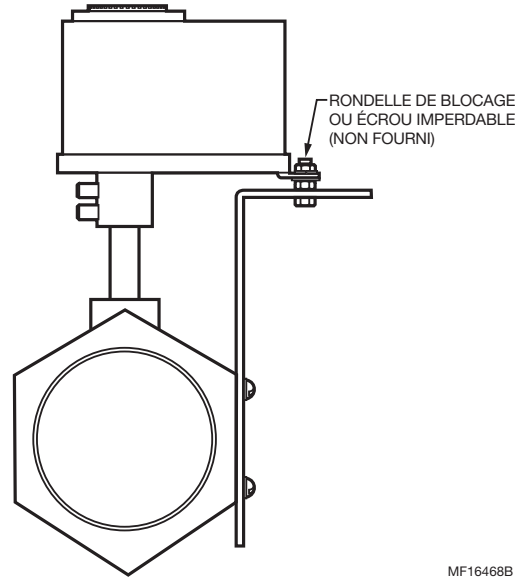


Fig. 3. Montage de l'actionneur ML7999C.



MF16468B

Fig. 4. Montage de l'actionneur ML7999C avec le support de montage.

CÂBLAGE

AVERTISSEMENT

Danger de décharge électrique. Peut causer des blessures graves ou le décès. Débranchez l'alimentation avant de commencer l'installation.

Tout le câblage doit être conforme aux codes, aux ordonnances et aux réglementations électriques locaux. L'actionneur ML7999C est conçu pour être utilisé avec une alimentation de classe 2 à basse tension. La tension et la fréquence du transformateur doivent concorder avec les caractéristiques de l'actionneur et de l'alimentation.

IMPORTANT

Passez les câblages de la tension de secteur et de la basse tension dans des conduits séparés pour éviter les interférences de signal.

Mise à la terre

Le système ControlLinksMC exige une mise à la terre pour fonctionner correctement. La mise à la terre fournit une connexion entre l'embase et le tableau de commande de l'équipement. La mise à la terre doit pouvoir conduire suffisamment de courant pour griller le fusible ou faire sauter le disjoncteur en cas de court-circuit interne.

1. Utilisez de larges sangles ou de larges supports pour fournir des conducteurs de mise à la terre de grande surface et de faible longueur. Si vous devez utiliser un câble, utilisez du fil de cuivre de calibre 14 AWG.
2. Les joints bloqués mécaniquement le long du chemin de la mise à la terre ne doivent comporter aucun revêtement non conducteur et leurs surfaces doivent être protégées contre la corrosion.

Mise à la terre du blindage

Raccordez la mise à la terre du blindage des entrées du ou des actionneurs ML7999C, le dispositif de réenclenchement distant, le potentiomètre manuel, les entrées du contrôleur de 4 à 20 mA et du dispositif auxiliaire de 4 à 20 mA à la sangle de mise à la terre fournie dans l'embase universelle Q7999. Connectez le blindage à l'extrémité du contrôleur seulement. Voir la Fig. 6.

Préparation

Utilisez les connecteurs de conduit de 1/2 po fournis par le fabricant dans les ouvertures de l'embase à basse tension et à tension secteur; le moteur est muni de compartiments de câblage séparés pour la tension secteur et la basse tension. Utilisez un câblage Belden 9535 à 5 conducteurs, entièrement blindé, de 300 V, 80 °C (UL2464, CSA PCC FT4), ou équivalent pour le câblage basse tension.

Procédures de câblage

IMPORTANT

L'unité doit être câblée.

1. Retirez le couvercle de l'actionneur.
2. Tirez les crochets de verrouillage vers l'arrière tout en ouvrant le compartiment basse tension. Voir la Fig. 5.
3. Câblez le circuit basse tension au contrôleur R7999. Consultez la Fig. 6 pour les connexions de câblage types.
4. Fermez le compartiment basse tension.
5. Câblez le circuit de tension de secteur. Consultez la Fig. 6 pour les connexions de câblage types.
6. Remettez le couvercle sur l'actionneur.

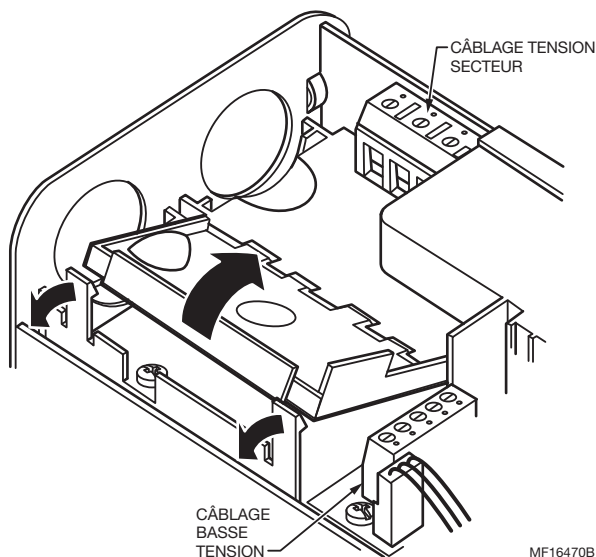


Fig. 5. Ouverture du compartiment de câblage basse tension de l'actionneur ML7999C.

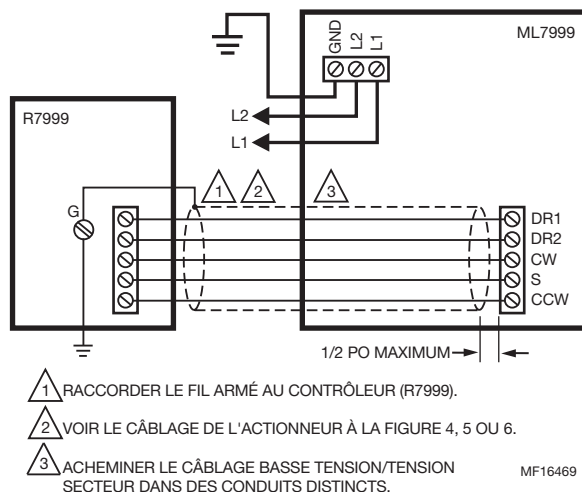


Fig. 6. Câblage type de l'actionneur ML7999C.

FONCTIONNEMENT

L'actionneur universel à repositionnement parallèle ML7999C est conçu pour actionner des registres d'air de combustion, des vannes papillon à gaz, des vannes de modulation à l'huile et de systèmes de recirculation des gaz de combustion qui nécessitent un couple maximum de 100 lb-po. Un contrôleur R7999C commande l'actionneur ML7999C.

L'actionneur est muni d'un indicateur de position qui indique la position de l'axe. L'indicateur se déplace avec l'axe pour fournir une représentation angulaire de la position de ce dernier.

IMPORTANT

Une fois que le couvercle est déposé puis réinstallé, l'indicateur de position ne fonctionne plus; il faut alors le tourner manuellement dans le sens horaire pour le réenclencher. Un déclic se fait entendre une fois que l'indicateur de position est enclenché.

REMARQUE : Au moment d'installer l'actionneur, il est possible d'entraîner le moyeu manuellement à l'aide des boutons-poussoirs situés sous le couvercle. Les boutons présentent les étiquettes CW (sens horaire) et CCW (sens antihoraire). Pour les utiliser, les seules connexions requises sont les branchements L1, L2 et GND. Cependant, une fois l'unité installée et câblée au contrôleur R7999, ces boutons ne doivent être utilisés qu'à des fins de dépannage.

Protection par mot de passe (signal d'identification)

Avant d'utiliser l'actionneur, le signal d'identification doit être défini. Consultez les instructions de l'interface logicielle pour plus de détails. Une fois le signal défini, le contrôleur R7999C envoie le signal pour commander l'actionneur. Tant que le signal d'identification approprié n'est pas envoyé, l'actionneur est hors ligne et ne répond qu'à son propre signal d'identification. (Reportez-vous au Tableau 1.)

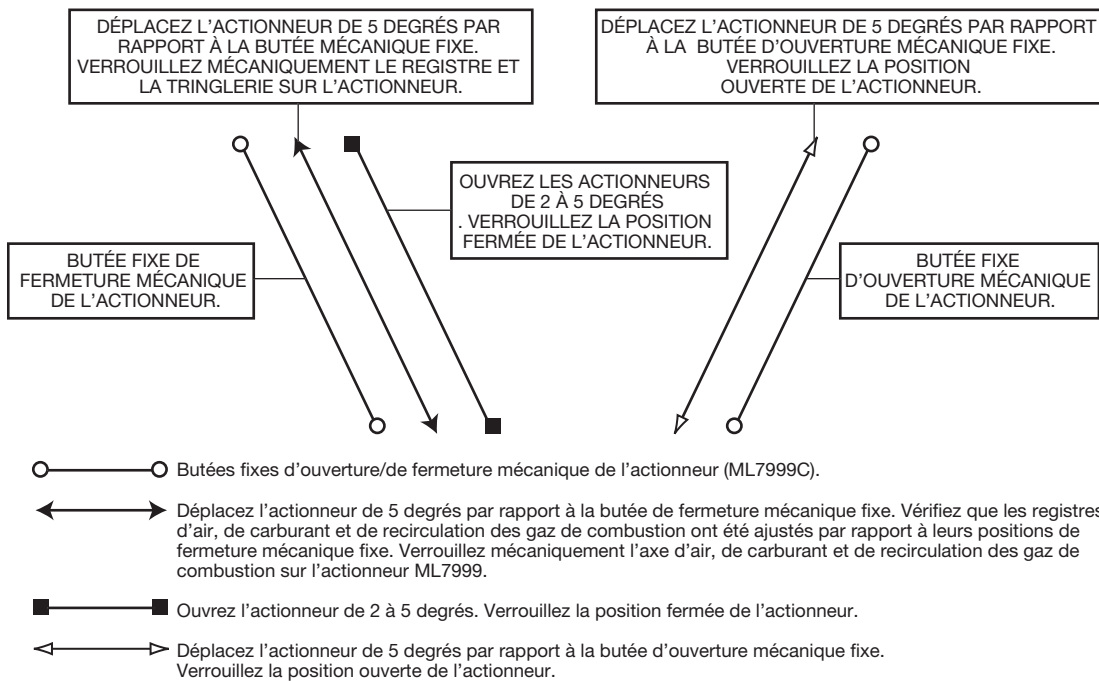
Tableau 1. Indicateurs DEL embarqués.

DEL	En ligne	Configuré	Signification	Remarques
Clignotement rapide	Non	Oui	En attente du signal d'identification.	Ne répond qu'au signal d'identification.
Clignotement lent	Oui	Oui	Signal d'identification reconnu.	Surveille les signaux de commande ou de mise hors ligne.
Allumée fixe	Non	Non	Panne de l'actionneur.	Réinitialiser l'actionneur aux valeurs d'usine.

Configuration initiale de l'actionneur

Si le système est mis en service, exécutez les étapes suivantes pour configurer l'actionneur ML7999C, la tringlerie et les registres d'air, de carburant et de recirculation des gaz de combustion.

1. Au cours de la configuration de l'actionneur, utilisez la recherche automatique de fermeture ou les boutons CW/CCW pour trouver la butée mécanique fixe de l'actionneur. Le registre d'air, de carburant et de recirculation des gaz de combustion n'est pas connecté pour le moment.



MF36779

Fig. 7. Changements de la butée mécanique pour la fonction de recherche automatique d'ouverture/de fermeture.

2. Recherche automatique de fermeture pour trouver la butée de fermeture mécanique fixe de l'actionneur. Voir la Fig. 8.

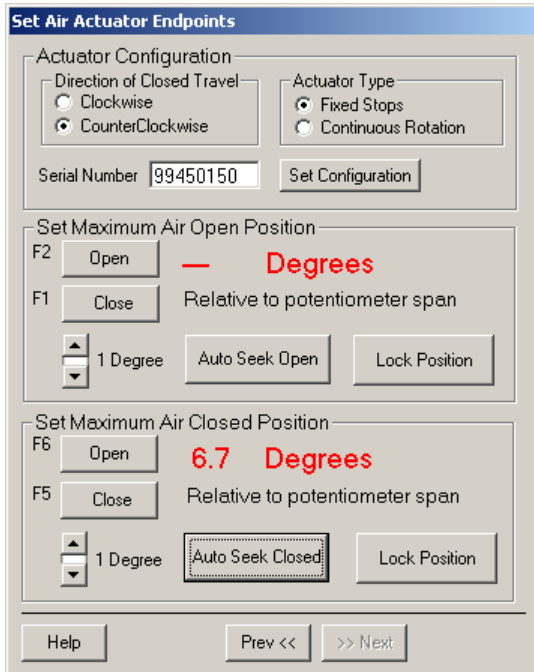


Fig. 8. Recherche automatique de fermeture pour trouver la butée de fermeture mécanique fixe de l'actionneur.

3. Déplacez la position fermée de l'actionneur de 5 degrés par rapport à la butée de fermeture mécanique fixe. Voir la Fig. 9.

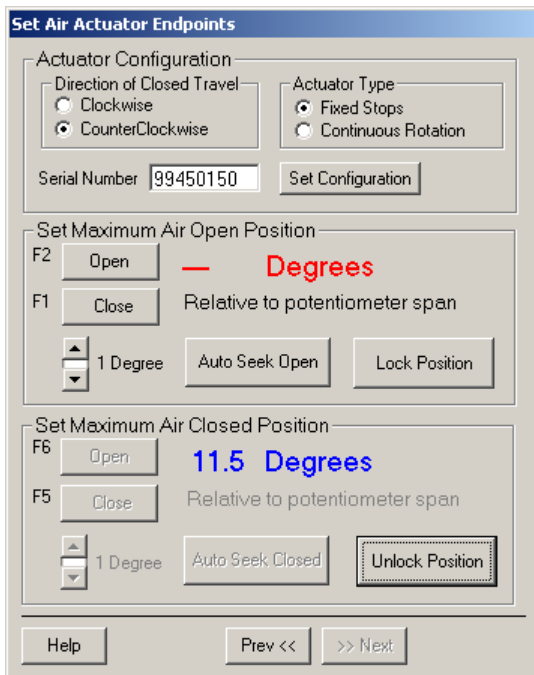


Fig. 9. Déplacez la position fermée de l'actionneur de 5 degrés par rapport à la butée de fermeture mécanique fixe.

4. Vérifiez que la tringlerie et les registres de gaz, de carburant et de recirculation des gaz de combustion sont en position fermée.
5. Serrez les vis de réglage sur l'actionneur.

6. Déplacez la tringlerie et le registre de l'actionneur de 2 à 5 degrés par rapport à la butée de fermeture mécanique de la tringlerie et du registre. Verrouillez la position fermée de l'actionneur. Voir la Fig. 10.

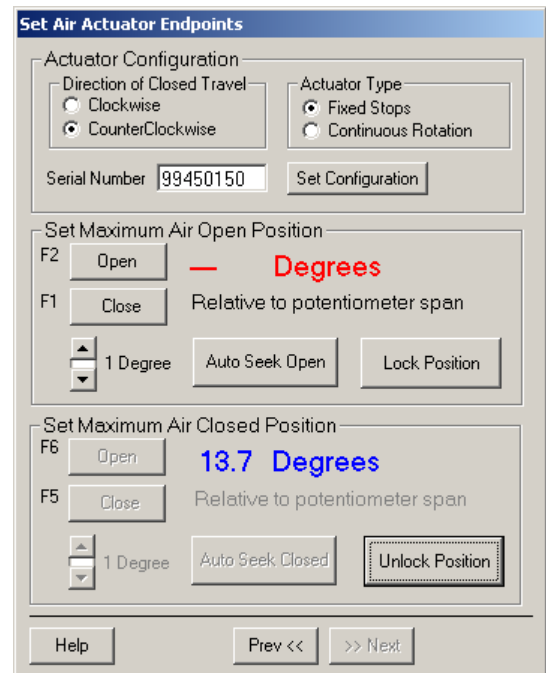


Fig. 10. Déplacez la tringlerie et le registre de l'actionneur de 2 à 5 degrés par rapport à la butée de fermeture mécanique fixe.

7. Effectuez une recherche automatique de l'ouverture de la butée d'ouverture mécanique fixe. Voir la Fig. 11.

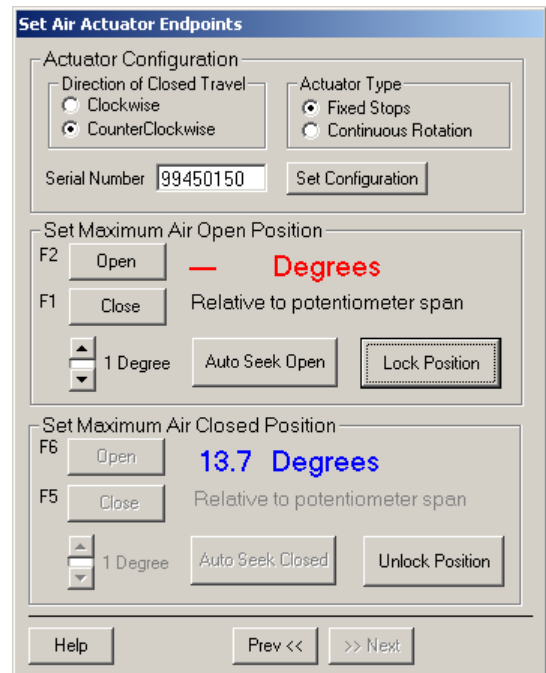


Fig. 11. Effectuez une recherche automatique de l'ouverture de la butée d'ouverture mécanique fixe.

8. Déplacez l'actionneur de 5 degrés par rapport à la butée d'ouverture mécanique. Voir la Fig. 12.

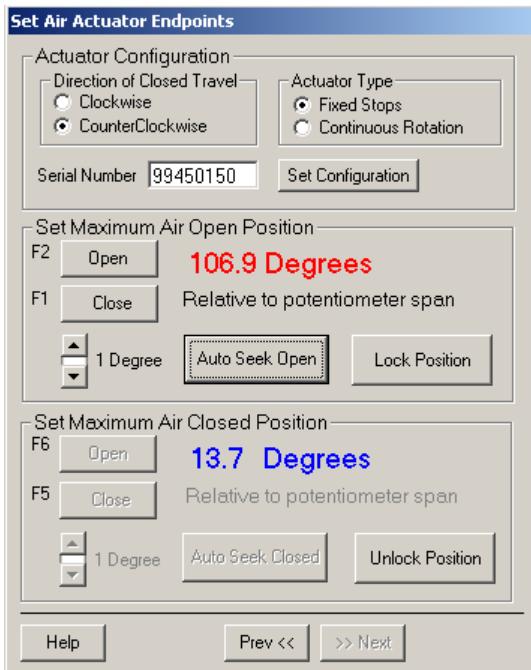


Fig. 12. Déplacez l'actionneur de 5 degrés par rapport à la butée d'ouverture mécanique.

9. Verrouillez la position ouverte de l'actionneur. Voir la Fig. 13.

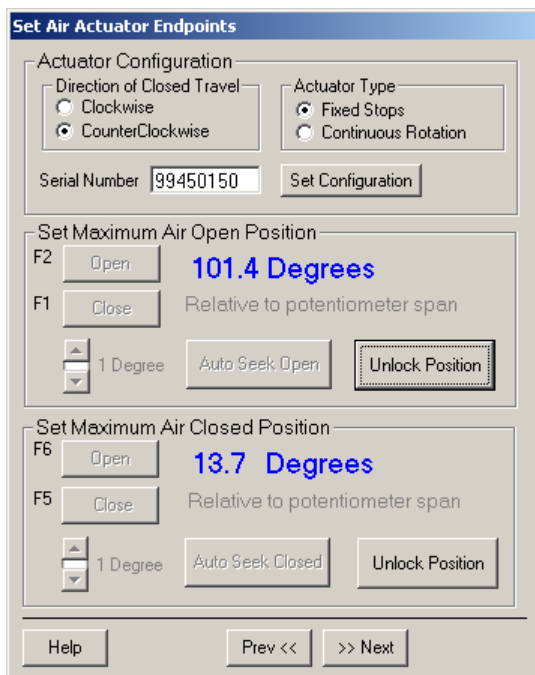


Fig. 13. Verrouillez la position ouverte de l'actionneur.

VÉRIFICATION ET DÉPANNAGE

Vérification

Consultez la documentation du contrôleur R7999C et le formulaire 32-00081EF pour la vérification du système.

Dépannage

Si l'actionneur ne fonctionne pas correctement lors de la vérification, effectuez les étapes de dépannage suivantes. Effectuez ces étapes avant de remplacer l'actionneur :

1. Vérifiez l'étiquette de l'actionneur pour vous assurer que les exigences d'alimentation et des signaux de commande sont adéquates pour l'application.
2. Vérifiez la présence de l'alimentation de 120 à 240 Vca aux bornes L1 et L2 de l'actionneur lorsqu'il devrait fonctionner. Si aucune tension n'est présente ou si la tension est faible, vérifiez l'alimentation.
3. Assurez-vous que la course de l'actionneur correspond à la course du registre ou du régulateur.
 - a. Retirez le couvercle.
 - b. Appuyez sur le bouton étiqueté CW. L'actionneur devrait entraîner l'appareil dans le sens horaire.
 - c. Appuyez sur le bouton étiqueté CCW. L'actionneur devrait entraîner l'appareil dans le sens antihoraire.
4. Si l'actionneur fonctionne correctement, vérifiez que les signaux de sortie du contrôleur sont adéquats.
5. Si l'actionneur ne fonctionne pas, coupez l'alimentation, déconnectez le moyeu de l'actionneur et tentez de tourner l'axe dans un sens, puis dans l'autre. Si l'axe tourne librement sur l'ensemble de la course de 90 degrés et si l'actionneur est bien installé, remplacez ce dernier.
6. Si l'axe ne tourne pas librement sur toute la course de 90 degrés, vérifiez les blocages. Ajustez au besoin le montage s'il est à l'origine du blocage.
7. Si l'axe ne tourne pas librement, réparez ou remplacez l'unité.
8. Si l'axe tourne, reconnectez l'actionneur, recâblez-le, puis entraînez le moyeu de l'actionneur dans un sens, puis dans l'autre. Si l'actionneur ne fonctionne pas, remplacez ce dernier.
9. Si l'actionneur et l'axe tournent librement, remontez l'actionneur sur l'unité en suivant les instructions de la section Installation. Assurez-vous que l'actionneur ne bloque pas et que l'actionneur et l'unité se trouvent sur la même butée d'arrêt (horaire ou antihoraire) une fois remontés. Connectez les câbles et reprenez les procédures de vérification. Effectuez un dépannage au besoin.

Home and Building Technologies

Aux États-Unis :

Honeywell

1985 Douglas Drive North

Golden Valley, MN 55422

customer.honeywell.com

Honeywell