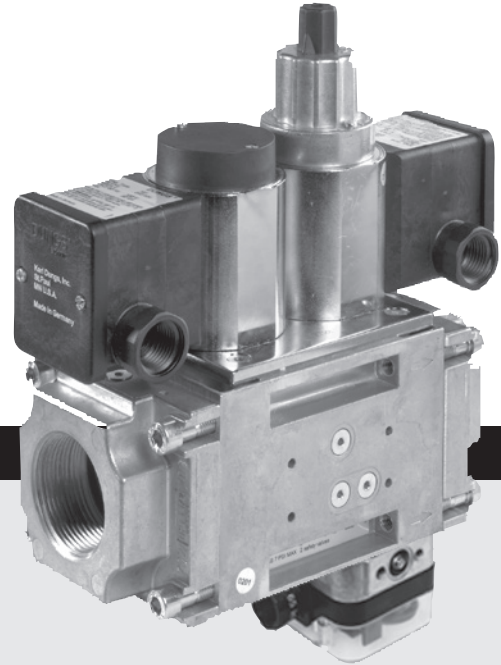


**Table of Contents**

Table of Contents . . . . .	Page 1	Accessories & Replacement . . . . .	Page 9
Approvals . . . . .	Page 1		
Attention . . . . .	Page 1		
Specification . . . . .	Page 2		
Mounting . . . . .	Page 3		
Positioning Junction Boxes . . . . .	Page 4		
Painting Valve . . . . .	Page 5		
Protection from Radiant Heat . . . . .	Page 5		
Wiring . . . . .	Page 5		
Valve Adjustment . . . . .	Page 5		
Valve Leakage Test . . . . .	Page 6		
Proof of Closure Switch . . . . .	Page 7		
Flow Curve . . . . .	Page 8		
Pressure Drop for other Gases . . . . .	Page 8		
Test Ports . . . . .	Page 9		



**Approvals**



UL Listed:  
 File No. MH16727



CSA Certified:  
 File No. 1010989



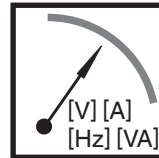
FM Approved:  
 Report J.1.3017969

Commonwealth of Massachusetts Approved Product Approval code G1-1107-35

**Attention**



The installation and maintenance of this product must be done under the supervision of an experienced and trained specialist. Never perform work if gas pressure or power is applied, or in the presence of an open flame.



Check the ratings in the specifications to make sure that they are suitable for your application.



Please read the instruction before installing or operating. Keep the instruction in a safe place. You find the instruction also at [www.dungs.com](http://www.dungs.com) If these instructions are not heeded, the result may be personal injury or damage to property.



On completion of work on the safety valve, perform a leakage and function test.



Any adjustment and application-specific adjustment values must be made in accordance with the appliance-/boiler manufacturers instructions.



This product is intended for installations covered by, but not limited to, the following fuel gas codes and standards: NFPA 54, IFGC (International Fuel Gas Code), or CSA B149.1 (for Canada) or the following equipment codes and standards: CSD-1, UL 795, NFPA 86, NFPA 37, ANSI Z83.4/CSA 3.7, ANSI Z83.18, ANSI Z21.13/CSA 4.9 or CSA B149.3 (for Canada).

**Explanation of symbols**

- 1, 2, 3 ... = Action
- = Instruction

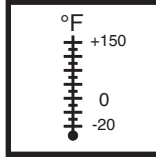
## Specification

**DMV-D/624L** Two normally closed safety shutoff valves in one housing. V1 and V2 are fast opening, fast closing. Valve 2 features adjustable max. flow and proof of closure. NEMA Type 4x.

**DMV-DLE/624L** Two normally closed safety shutoff valves in one housing. V1 fast opening, fast closing. V2 is a slow opening, fast closing valve. Valve 2 features adjustable max. flow, adjustable initial lift and proof of closure. NEMA Type 4x



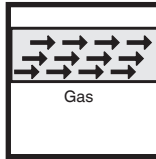
**Max. Operating Pressure**  
MOP = 7 PSI (500 mbar) UL, FM  
MOP = 5 PSI (350 mbar) CSA



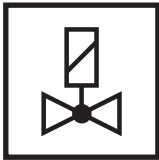
**Ambient Temperature**  
-20 °F ... +150 °F  
(-30 °C ... +65 °C)



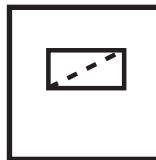
**Electrical Ratings**  
110 - 120 VAC / 50 - 60 Hz;  
**Operating time**  
100 % duty cycle  
**Power Consumption with all coils energized**  
DMV-D(LE) 702: 60 VA  
DMV-D(LE) 703: 80 VA



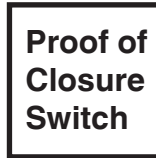
**Gases**  
Dry, natural gas, propane, butane; other noncorrosive gases. A "dry" gas has a dew point lower than +15 °F and its relative humidity is less than 60 %.  
**Materials in contact with Gas**  
Housing: Aluminium, Steel, free of nonferrous metals.  
Sealings on valve seats: NBR-based rubber.



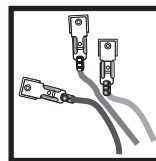
**Classification of Valve V1 and V2 Safety Shutoff Valve:** UL 429, FM 7400 & ANSI Z21.21  
• CSA 6.5 C/I Valves  
**Closing Time (Valve 1 & Valve 2)**  
< 1 s  
**Opening Time**  
DMV-D/624: V1 & V2 < 1 s  
DMV-DLE/624: V1 < 1 s;  
V2 10 to 20 s at 70 °F  
**Max. Flow Setting (DMV-D/624L & DMV-DLE/624L)**  
Adjustable on V2:  
<10 to 100 % of total flow  
**Initial Lift Adjustment (DMV-DLE/624L)**  
Adjustable on V2:  
0 to 70 % of total flow, 0 to 25 % of stroke



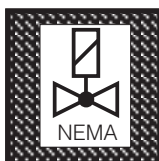
**Strainer**  
23 Mesh, installed in the housing upstream V1



**Proof of Closure Switch with visual indication**  
SPDT mounted to valve 2, 10 A res, 8 FLA, 48 LRA @ 120 VAC



**Electrical Connection**  
Terminal boxes with NPT 1/2" conduit connections



**Enclosure Ratings Available**  
NEMA Type 4x

# Mounting

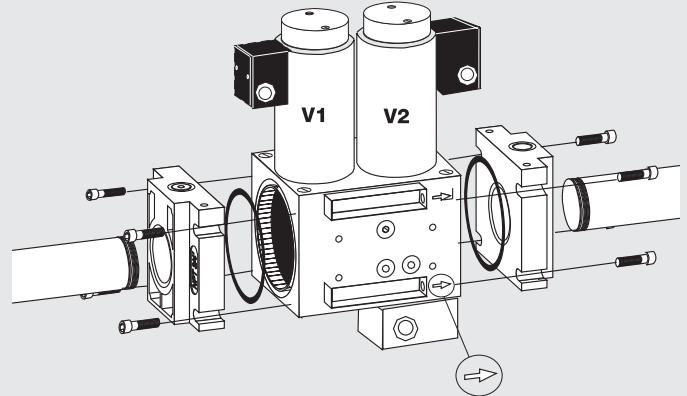
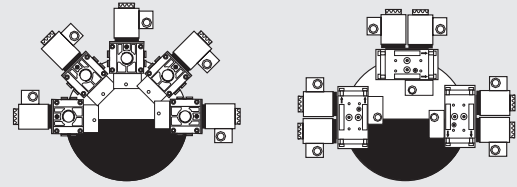
## Setup


1. Examine the DMV valve for shipping damage.
2. The main gas supply must be shutoff before starting the installation.
3. The inside of the DMV valve, the flanges, and piping must be clean and free of dirt. Remove all dirt and debris before installing the DMV valve. Failure to remove dirt / debris could result in valve damage or improper performance.

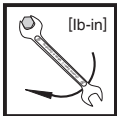
## Recommended Procedure to Mount the Flanges

1. Unpack the DMV valve and remove the socket cap head screws.  
For DMV 702/703: use 6 mm hex wrench for M8 screws
2. Remove the two white protective plastic covers.
3. Verify the o-rings and the grooves are clean and in good condition.
4. Install the DMV valve with the gas flow matching the direction indicated by the arrows on the casting.
5. Mount the DMV solenoid from vertically upright to horizontal.
6. Clean the mounting surface of the flanges.
7. Mount the flanges to the DMV valve.
8. Tighten the screws in a crisscross pattern. See table for recommended torque!

## Installation position



 If the flow is not in the same direction of the arrows, the valves will not operate properly.

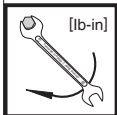


Recommended Torque	Torque max.	Bolt Size
		134 lb-in

## Recommended Piping Procedure

- Use new, properly reamed and threaded pipe.
- Apply good quality pipe sealant, putting a moderate amount on the male threads only. If pipe sealant lodges on the valve seat, it will prevent proper operation. If using LP gas, use pipe sealant rated for use with LP gas.

- Do not thread pipe too far. Valve distortion and/or malfunction may result from excess pipe in the valve body.
- Apply counter pressure only a parallel jaw wrench only to the flats on the flange when connecting to pipe.
- Do not overtighten the pipe. Follow the maximum torque values listed below.

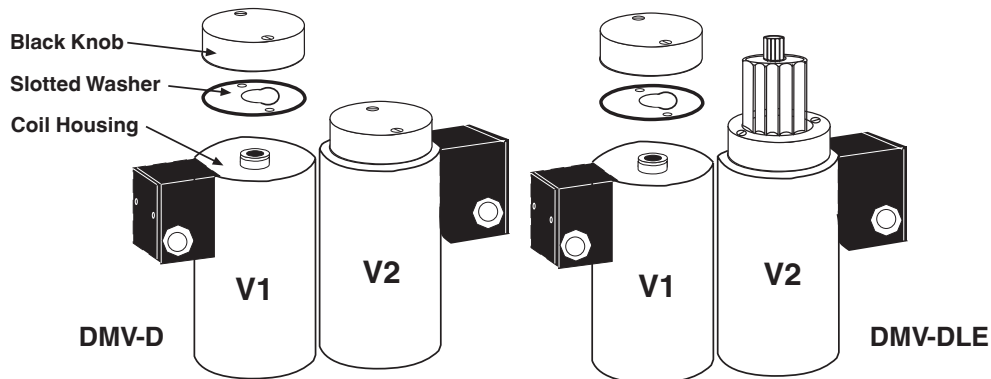


Recommended Torque for Piping	1/2"	3/4"	1"	1 1/4"	1 1/2"	2"	NPT pipe
		375	560	750	875	940	1190

• On completion of work on the DMV valve, perform a leakage test. (See "Valve Leakage Test")

## Positioning Junction Boxes

1. Locate the black knob on top of Valve 1. There are two screws, the holding screw is recessed and has a blue sealing compound on it, while the pan head screw protrudes from the cap,
2. Remove both screws, remove the black knob, remove the slotted washer.
3. Remove the coil assembly Valve 1 ONLY.
4. Locate the black knob on top of Valve 2. There are two screws, the holding screw is recessed and has a blue sealing compound on it, while the pan head screw protrudes from the cap.
5. Loosen the pan head screw until you can freely rotate the coil assembly. Position the coil so that the junction box is in an accessible location to connect to conduit.
6. Replace the coil from Valve 1. Position the coil so that the junction box is in an accessible location to connect to conduit
7. Re-install the washer, black cap and the screw.



**⚠ Do not adjust or remove any screws or bolts which are sealed with a Red colored compound. Doing so will void all approvals and warranties.**

**⚠ Do not remove the adjustment cap from valve 2. If the adjustment cap is removed, perform the valve leakage test on page 5 - with special attention to the area under the adjustment cap.**

## Painting Valve

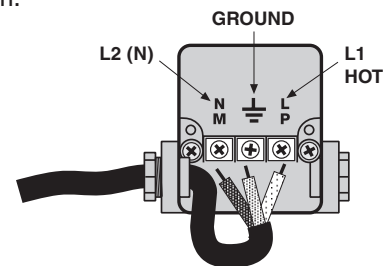
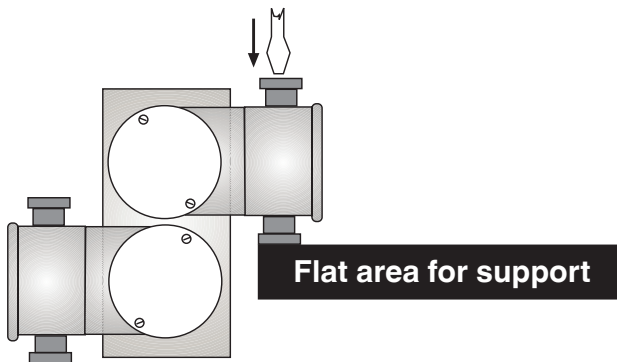
- It is not recommended that this valve be painted. Painting covers date codes and other labels that identify this valve.
- If the valve needs to be painted, a paint free of volatile organic components (VOC's) must be used. VOC's can damage valve o-rings, resulting in external gas leakage over time.
- During the painting process, use measures that will allow the valve's date code and other labeling information to be legible after the paint is dry.

## Protection from Radiant Heat

- Radiant heat must be considered as a heat source that could result in an ambient temperature higher than the rating of this valve.
- Provide proper shielding to protect against radiant heat.

## Wiring

- Remove the junction box cover to expose the three terminals
- The coil can be rotated to accommodate a conduit connection in any position.
- Use only one of the knock-outs for connecting conduit to the junction box. Support the opposite side of the junction box when removing the knock-out.
- Use appropriate tools to connect the conduit fitting to the junction box.
- Make electrical connections to the terminals using the wiring diagram.



- Replace junction box cover.

- Run 14 or 16 guage wire rated for 95 °C (200 °F) through the conduit and attach 1/2" NPT conduit to the junction box.



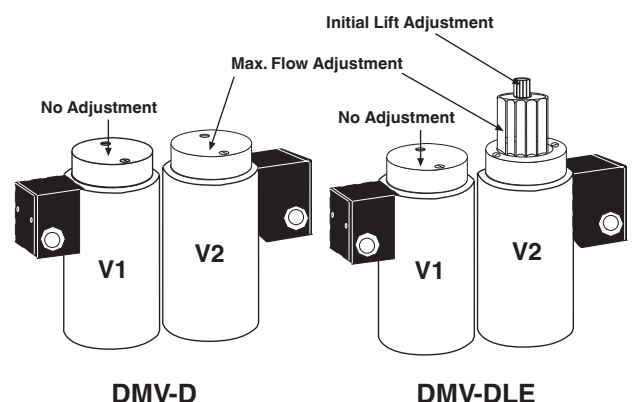
**All wiring must comply with local electrical codes, ordinances and regulations.**

## Valve Adjustment

### Flow Setting

- The valves are factory set with the flow adjustment fully open.
- Locate the appropriate knob on top of **Valve 2**. There are two screws, the holding screw is recessed and has a blue sealing compound on it, while the pan head screw protrudes from the cap.
- Loosen the pan head screw until you can freely rotate the flow adjustment.
- Turn clockwise for less gas or counterclockwise for more gas.
- Check the flow at the burner with an orifice or flow meter.
- Tighten the pan head screw on the adjustment cap.

- Unscrew the small black cap on top of the flow adjustment cap to expose the initial lift adjustment knob.
- The black cap also serves as tool; turn the cap over and insert it on the slot on the adjustment knob.
- Turn the knob clockwise for a min initial lift or counterclockwise for a max. initial lift.
- Once the desired initial lift has been achieved, reinstall the black cap.



### Initial Lift Adjustment (DMV-DLE only)

The initial lift adjustment varies the initial gas flow through the valve as the valve seat begins to open. This adjustment can vary the initial flow between 0 % and 70 % of the total gas flow; 0 to 25 % of stroke. All DMV-DLE valves are factory set with minimum initial lift. To adjust the lift proceed as follows:

# Valve Leakage Test

This leak test procedure tests the external sealing and valve seat sealing capabilities of the DMV automatic safety shutoff valve. Only qualified personnel should perform this test.

It is required that this test be done on the initial system startup, and then repeated at least annually. Possibly more often depending on the application, environmental parameters, and the requirements of the authority having jurisdiction.

### Setup

This test requires the following:

- A) Test nipples installed in the downstream pressure tap port of each automatic safety shutoff valve to make the required 1/4" hose connection in step 4.
- B) A transparent glass of water filled at least 1 inch from the bottom.
- C) A proper leak test tube. An aluminum or copper 1/4" rigid tube with a 45° cut at the end that is then connected to a 1/4" flexible hose of some convenient length provides for a more accurate leakage measurement. However, a 45° cut at the end of the 1/4" flexible hose will suffice, but it will not likely be as accurate as the rigid tube.
- D) For detecting external leakages, an all purpose liquid leak detector solution is required.

### Leak Test Procedure

Use the illustration below as a reference.

1. With the upstream ball valve open, the downstream ball valve closed and both valves energized, apply an all purpose liquid leak detector solution to the "External Leakage Test Areas" indicated in the illustration below, to any accessories mounted to the safety valve, and to all gas piping and gas components downstream the equipment isolation valve, and the inlet and outlet gas piping of the automatic safety shutoff valve. The presence of bubbles

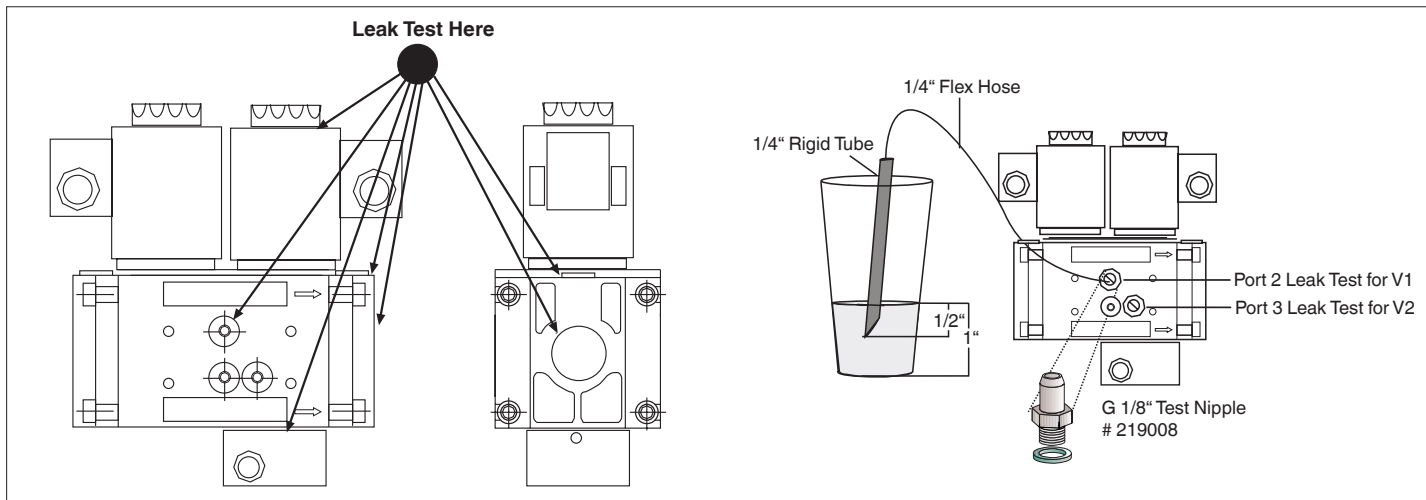
indicates a leak, which needs to be rectified before proceeding.

2. Then, de-energize the burner system and verify that both automatic safety shutoff valves are closed.
3. Close the upstream and downstream manual ball valve.
4. Using a screwdriver, slowly open the V1 test nipple (port 2) by turning it counter clockwise to depressurize the volume between the two valves, and connect the 1/4" flexible hose to the test nipple.
5. Slowly open the upstream manual ball valve, and then provide for some time to allow potential leakage to charge the test chamber before measuring the valve seat leakage.
6. Immerse the 1/4 in. tube vertically 1/2 in. (12.7 mm) below the water surface. If bubbles emerge from the 1/4" tube and after the leakage rate has stabilized, count the number of bubbles appearing during a 10 second period. (See chart below for allowable leakage rates.)
7. Repeat the same procedure for valve V2 (port 3).

### After completing the above tests proceed as follows:

8. Verify that the downstream manual ball valve is closed, and both automatic safety shutoff valves are de-energized.
9. Remove the flexible hose, and close all test nipples.
10. With the upstream manual ball valve open, energize both automatic safety shutoff valves.
11. Use soapy water to leak test all test nipples to ensure that there are no leaks.
12. If no leakage is detected, de-energize all automatic safety shutoff valves, and open the downstream manual ball valve.

**⚠ If leakage values are exceeded, replace valve immediately.**



Type	Allowable Valve Seat Leakage* up to 7 PSI inlet	# of Bubbles in 10 s		
		Air	Natural Gas	LP
DMV-D(LE) 702/624L	464 cc/hr	9	11	7
DMV-D(LE) 703/624L	464 cc/hr	9	11	7

\*Based on air and test conditions per UL 429 Section 29. (Air or inert gas at a pressure of 1/4 psig and also at a pressure of one and one-half times maximum operating pressure differential, but not less than 1/2 psig. This test shall be applied with the valve installed in its intended position.) Volume of bubble defined in Table 2 of FCI 70-2-1998.

# Proof of Closure Switch

## Location

The proof of closure switch is factory installed on valve 2 of the DMV, it visually and electrically indicates valve position. When the valve is closed (NO position) an orange light is visible, when the valve is open (NC position) a green light is visible.

## Conduit Connection

- Before connecting conduit to the proof of closure switch, position the proof of closure switch so that there is no torque from the wiring or conduit. If the switch needs to be rotated, loosen the slotted set screw on the side. The switch may be removed from the brass adapter for wiring, however, DO NOT turn the proof of closure switch after tightening the slotted set screw.
- Tighten the slotted set screw so that the proof of closure switch housing is secure. (16 lb-in torque)

## Wiring

- Do not exceed the electrical ratings given in the proof of closure switch specifications.
- Use 14 or 16 gauge wire for at least 75 °C (167 °F).
- Connect wire to the appropriate terminal of the proof of closure switch (see the wiring diagram). COM to the L1, Ground to ground, NO to the Proof of Closure terminal of the Flame Safeguard and N to L2. The ORANGE light shall be on when the valve is closed, the GREEN light shall be on when the valve is open (FM requirement).

## Annual Testing

- Perform a switch continuity test at least annually to verify that the proof of closure switch is working properly.
- Make sure that there is no power to the proof of closure switch.
- Shut the upstream ball valve to stop the flow of gas into the valve train.
- With the valve de-energized, use a multimeter and verify that there is continuity between the switch contacts 3 (COM) and 2 (NO). Then verify that there is no continuity between the switch contacts 3 (COM) and 1 (NC).
- Energize the valve that the proof of closure switch is mounted to. Use a multimeter and verify that there is continuity between the switch contacts 3 (COM) and 1 (NC). Then verify that there is no continuity between the switch-contacts 3 (COM) and 2 (NO).
- If you experience a problem, contact DUNGS
- De-energize the valve and replace the cover on the proof of closure switch
- Open the upstream ball valve

## Proof of Closure Switch Specifications

### Switch

SPDT

### Switch Action

Valve open: Switch in NC position, Green light on.  
Valve closed: Switch in NO position, Orange light on.

### Contact Rating

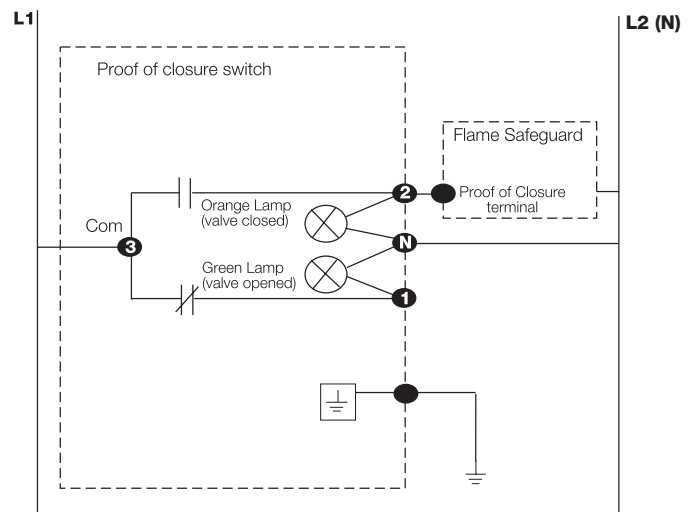
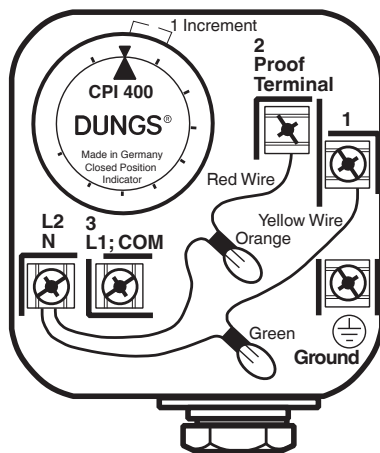
10 A res, 8 FLA, 48 LRA @120 VAC

### Enclosure

NEMA Type 4

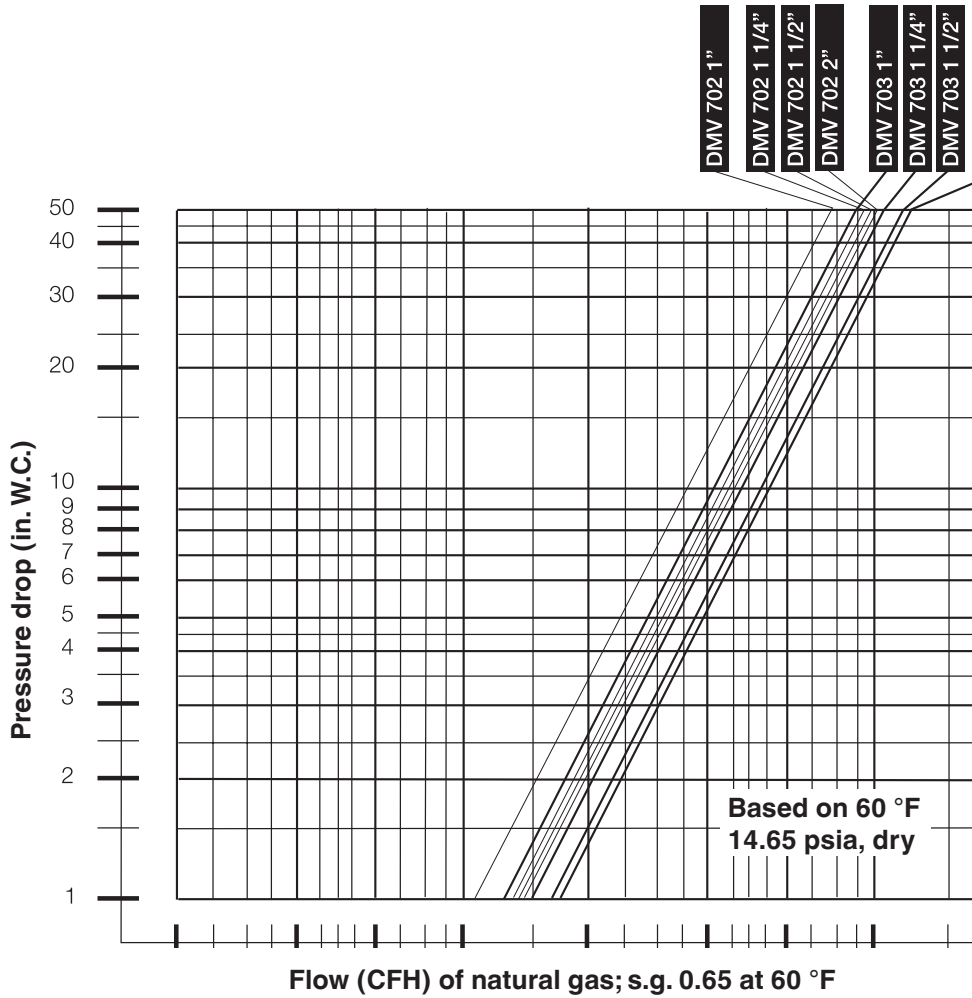
### Ambient/Fluid Temperature

-40 °F to 150 °F



**⚠ Do not wire the valve switch to close a circuit that will directly power another safety shutoff valve. Doing so could result in a safety valve being energized and opened rather than remaining closed.**

# Flow Curve



## Pressure Drop for other Gases

To determine the pressure drop when using a gas other than natural gas, use the flow formula below and f value located in the table below to determine the “corrected” flow rate in CFH through the valve for the other gas used. For example,

when using propane, divide the volume (CFH) of propane required for the application by the calculated value f (f = 0.66 for propane). Use this “corrected” flow rate and the flow curve on the next page to determine pressure drop for propane.

## Determining equivalent flow through valves using another gas

$$\dot{V}_{\text{gas used}} = \dot{V}_{\text{Natural gas}} \times f$$

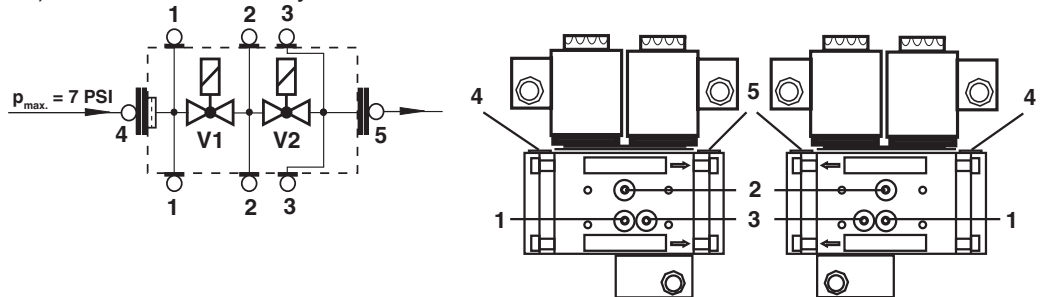
$$f = \sqrt{\frac{\text{Density of Natural gas}}{\text{Density of gas used}}}$$

Type of gas	Density [kg/m <sup>3</sup> ]	s.g.	f
Natural gas	0.81	0.65	1.00
Butane	2.39	1.95	0.58
Propane	1.86	1.50	0.66
Air	1.24	1.00	0.80



## Test Ports

The G 1/8 ISO 228 taps are available on both sides upstream V1, between V1 and V2, downstream V2 and on both flanges. The G 1/8 test nipple (P/N 219008) can be screwed in any of these pressure tap ports.



## Accessories & Replacement

Coil for	Magnet Type	Order No. for 120 VAC*
DMV-D(LE) 702/624L	151	246515
DMV-D(LE) 703/624L	152	246516
*Includes only one coil for one valve. If both coils need replacing, then order two of the above mentioned parts.		
Accessories/Adapter	Order No.	
Visual Indicator	Visual Indicator	The indicator mounts to the bottom of the valve and visually displays when the valve is open or closed.
Valve Switch CPI 400	266968	Valve switch with visual indication.
1/4" NPT port 1, port 2, or flange adapter (reduced port)	225047	
1/2" NPT port 2 pilot / vent adapter (reduced port)	225043	
Gasket for G 1/8" test nipple	171270	
G 1/8" Test nipple with gasket	219008	
Port 3 Pressure switch mounting adapter	273777	
Hydraulic Brake	240458	
Max. Flow Adjustment Knob	240457	

Valve Description	Flange Size	NPT Order No.	Rp Order No.	O-ring and bolt kit for flanges Order No.*
DMV-702 & 703	1"	222369	222343	224094
DMV-702 & 703	1 1/4"	222370	222344	224094
DMV-702 & 703	1 1/2"	222003	221884	224094
DMV-702 & 703	2"	221997	221926	224094
*Includes two o-rings and two sets of bolts (one set of four bolts for each flange).				



**Karl Dungs, Inc.**  
 3890 Pheasant Ridge Drive NE  
 Suite 150  
 Blaine, MN 55449, U.S.A.  
 Phone 763 582-1700  
 Fax 763 582-1799  
 e-mail [info@karldungsusa.com](mailto:info@karldungsusa.com)  
 Internet <http://www.dungs.com/usa/>

**Karl Dungs GmbH & Co. KG**  
 P.O. Box 12 29  
 D-73602 Schorndorf, Germany  
 Phone +49 (0)7181-804-0  
 Fax +49 (0)7181-804-166  
 e-mail [info@dungs.com](mailto:info@dungs.com)  
 Internet <http://www.dungs.com>