

# Xtralis Integrated Security S3000 DCU

## Door Control Unit



### Key Benefits

- Full IP, with Power-over-Ethernet
- Full system redundancy
- Power/Control for 2 doors
- SSL data encryption
- Plug-and-use technology
- Spanning Tree Protocol
- Internal fail safe control
- IT network standards

### Description

The DCU IP door control unit is one of several network devices that make up the S3000 Access Control system taking full advantage of the existing IT network infrastructure and low cost structured cabling system (CAT5e or CAT6).

The DCU is a dual door controller for use with the RDR IP card reader. All other door functions are connected and powered utilising the DCU's PoE capability, including most door strikes and locking mechanisms. An optional relay is available for heavy duty locks and gate operators.

The DCU supports plug-and-use technology, Power-over-Ethernet, strong encrypted TCP/IP communication (SSL), automatic IP assignment (via LPU), and optional Li-polymer battery pack.

The S3000 access control system is fully interoperable with the Xtralis 3000 Series family of products, including the FastTrace 2/2E for video and audio recording and transmission, the V3500 for mass storage and archiving, and the V3001 for video wall applications.

### Xtralis Security Solution product family



Tollfree in Western Canada: 1-888-388-1592  
microwatt.com • mwsales@microwatt.com

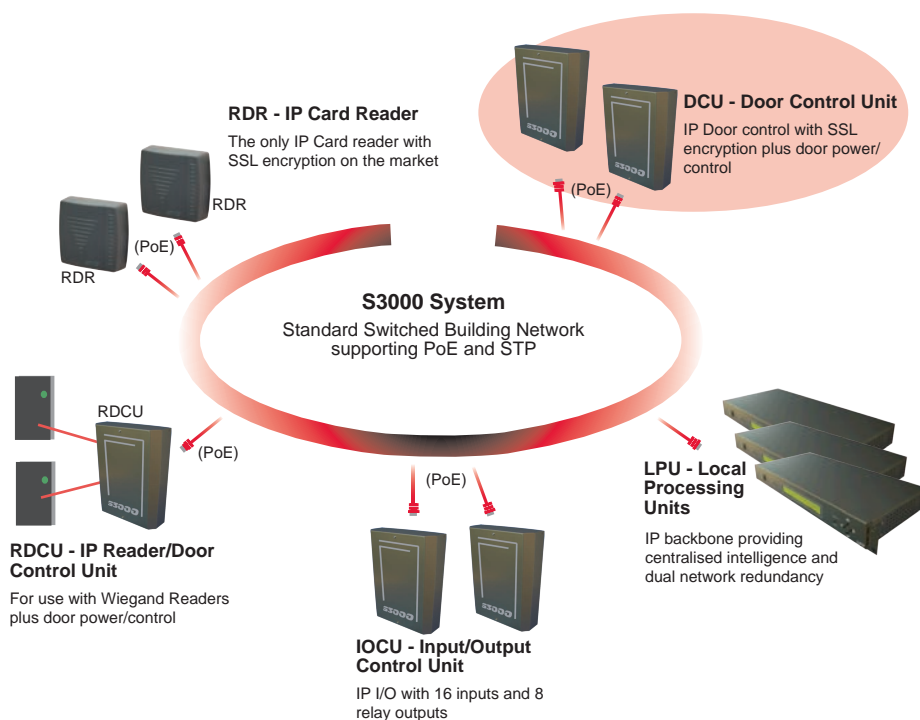
SALES • SERVICE • SUPPORT



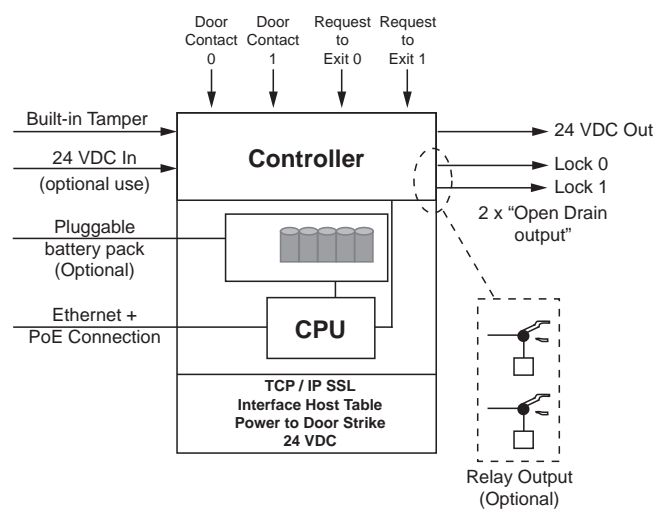
# Xtralis Integrated Security S3000 DCU

## Door Control Unit

### Configuration



### Block Diagram



### Specifications

<b>Connection</b>	10/100 BaseT (RJ45 CAT 5e or CAT 6) IEEE 802.3af PoE Compliant.
<b>Indicators</b>	Multicoloured LEDs (Lock 1 & 2, Door state, Battery state)
<b>Input</b>	<ul style="list-style-type: none"> <li>Enclosure tamper, Supervised Door contact, Supervised Request to Exit Button.</li> <li>Optional external power supply connection (24 VDC / 2 A)</li> </ul>
<b>Output</b>	<ul style="list-style-type: none"> <li>24 VDC max 100 mA (peripheral use)</li> <li>Door lock control: 2 x MOSFET monitored output 24 VDC (25 mA to 1 A)</li> <li>Internal Li-polymer battery pack connection</li> </ul>
<b>Protocol</b>	Strong encrypted (SSL) TCP/IP, DHCP, ARP, ICMP, SSH, IPv4, IPv6 Ready
<b>Operational modes</b>	<ul style="list-style-type: none"> <li>Intelligent access control door controller for 2 doors.</li> <li>Database on Local Processing Unit(s).</li> <li>Redundancy by multiple LPU's</li> </ul>
<b>Software</b>	M3000 Windows-based security management software
<b>Housing</b>	<ul style="list-style-type: none"> <li>Dimensions (HxWxD): 303 mm x 204 mm x 61 mm (12"x 8"x 2.4") - Indoor use</li> <li>Colour: RAL 7016</li> <li>Weight: 2.5 kg (5.512 lbs) excluding battery pack: 0.300 kg (0.661 lbs)</li> </ul>
<b>Power supply</b>	<ul style="list-style-type: none"> <li>Powered over Ethernet (IEEE 802.3af PoE) 12 Watt.</li> <li>Optional Li-polymer battery pack</li> </ul>
<b>Temperature - Humidity</b>	Operational temperature: 0 - 40°C (32 - 104°F) 0 - 95% RH non-condensing
<b>Product code</b>	<ul style="list-style-type: none"> <li>S3000 DCU IP door control unit (2 doors) Part number: 09003317</li> <li>Optional Li-polymer battery pack 100-240 V / 24 VDC / 3 A adapter Part number: 09003800</li> </ul>

www.xtralis.com

UK and Europe +44 1442 242 330 D-A-CH +49 431 23284 1 The Americas +1 781 740 2223

Middle East +962 6 588 5622 Asia +86 21 5240 0077 Australia and New Zealand +61 3 9936 7000

The contents of this document are provided on an "as is" basis. No representation or warranty (either express or implied) is made as to the completeness, accuracy or reliability of the contents of this document. The manufacturer reserves the right to change designs or specifications without obligation and without further notice. Except as otherwise provided, all warranties, express or implied, including without limitation any implied warranties of merchantability and fitness for a particular purpose are expressly excluded.

Xtralis, Xtralis logo, The Sooner You Know, VESDA, ICAM, ECO, OSID, HeiTel, ADPRO, IntrusionTrace, and LoiterTrace are trademarks and/or registered trademarks of Xtralis and/or its subsidiaries in the United States and/or other countries. Other brand names mentioned herein are for identification purposes only and may be trademarks of their respective holder(s). Your use of this document does not constitute or create a licence or any other right to use the name and/or trademark and/or label.

This document is subject to copyright owned by Xtralis. You agree not to copy, communicate to the public, adapt, distribute, transfer, sell, modify or publish any contents of this document without the express prior written consent of Xtralis.

Doc. no. 14534\_04

 **xtralis**  
The sooner you know®