



DESK OR WALL MOUNT ADMINISTRATIVE MASTER STATION

- Corrosion and vandal resistant design
- Private full duplex handset communication
- Headset, gooseneck microphone and handset options
- Single touch speed dialing
- Group call, all-call, priority call
- Simple one pair wiring
- Output to powered loudspeaker
- IP66

Weather Proof Digital Intercom Stations

Model ECHO EWP

Federal Signal Model EWP ECHO Intercom Stations provide safe and efficient two-way voice communications in large and small ECHO Digital Intercom Systems.

The EWP ECHO station provides instantaneous high-speed connections and clear, crisp digital voice quality. Each station offers single-button all call, priority emergency paging, group paging, speed dial, conference call, and relay output.

Any station can call any other station(s) in an ECHO Digital Intercom System. With the headset or gooseneck microphone options, each is capable of hands-free voice communication. Because the ECHO Digital Central Exchange provides 30 channels of simultaneous communication, calls are processed and connected immediately without dial tone or delay.

The EWP Station keypad is designed to provide tactile and audible feedback (via external powered loudspeaker) for a positive activation. Each station may be programmed for four levels of privacy for receiving calls; non-private, semi-private, full privacy and do-not-disturb. Volume for voice and signal levels are easily adjusted on the keypad.

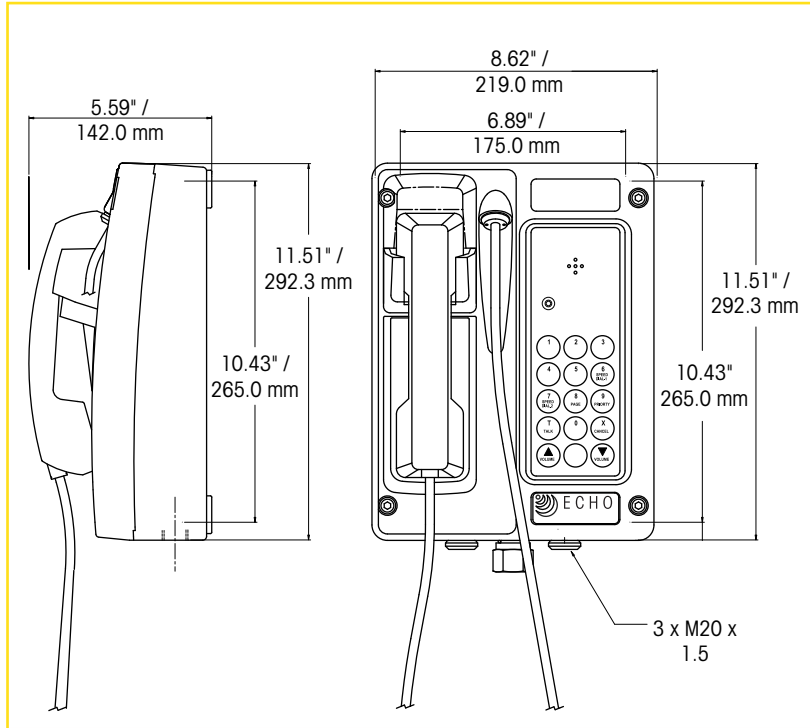
Each EWP Station is constructed of heavy duty glass reinforced polyester (GRP), equipped with a weatherproof keypad, and are rated for use in IP66 dust- and water-tight applications.

Stations can be ordered with polyurethane curly cord, stainless steel cord, headset (with optional extension), stubby microphone or gooseneck microphone.



CE ECHO

WEATHER PROOF DIGITAL INTERCOM STATIONS (EWP)



HOW TO ORDER

- Specify model:
 - Handset, .35m to 5m curly cord (EWP-HND-C)
 - Handset, 1.0m stainless steel cord (EWP-HND-S)
 - Jack station (EWP-JS)
 - Stubby microphone, 65mm (EWP-SM)
 - Gooseneck microphone, 260mm (EWP-GM1)
 - Gooseneck microphone, 440mm (EWP-GM2)
 - Gooseneck microphone, 590mm (EWP-GM3)
- Optional Accessories:
 - Headset (K137200A-01)
 - 10m Headset extension cord (K1751234A)
 - Handset with 2.5m to 15m curly cord (detachable) (K8601272A)

SPECIFICATIONS

Operating Voltage:	24VDC nominal (line driven from ECHO control)	Distance:	1.2 miles / 2.0 km Max
Current Idle:	25 mA	Cable:	One twisted pair, non-shielded
Current Connected:	100 mA max.	Cable Entries:	3 x M20
Handset Microphone Type:	Dynamic	Operating Temperature Range:	-35°C to +70°C
Handset Material:	Moulded Polyurethane	Termination:	Plug-in screw terminal, non-polar
Stubby Microphone Type:	Dynamic	Relay Switching Capacity:	3A at 240VAC
Stubby Microphone Sensitivity:	-54dBA	Net Weight:	9.5 lbs / 4.3kg
Stubby Microphone Enclosure:	Stainless Steel	Shipping Weight:	11.1 lbs / 5.1kg
Audio Output:	2.7 Vrms / 1.0k Ohm load	Shipping Dimensions:	16.25" x 9.5" x 9.25" 413mm x 241mm x 235mm
Volume Control via Keypad:	30dBA in ten steps		
Line Attenuation:	24dBA@160kb/s Max		
Loop Resistance:	170 Ohm Max		



MICROWATT
Making Safety Work

Tollfree in Western Canada: 1-888-388-1592
microwatt.com • mwsales@microwatt.com