

**Dispositif de détection de gaz  
Gas Detection Device**

**Manuel de l'utilisateur  
SQN8x  
User Manual**

ERP 512226  
2/08



---

**Gas Detection Device**

**SQN8x**  
**User Manual**

ERP 512226  
2/08



# Notices and Trademarks

Copyright by Honeywell International Inc.  
Release 512226 February 2008

While this information is presented in good faith and believed to be accurate, Honeywell disclaims the implied warranties of merchantability for a particular purpose and makes no express warranties except as may be stated in its written agreement with and for its customers.

In no event is Honeywell liable to anyone for any indirect, special or consequential damages. The information and specifications in this document are subject to change without notice.

Honeywell Analytics  
4005 Matte Blvd, Unit G  
Brossard, Quebec, Canada, J4Y 2P4



---

# Contacts

## World Wide Web

The following Honeywell Websites may be of interest to our customers:

<b>Honeywell Organization</b>	<b>WWW Address (URL)</b>
Honeywell Analytics	<a href="http://www.honeywellanalytics.com">http://www.honeywellanalytics.com</a>
Corporate	<a href="http://www.honeywell.com">http://www.honeywell.com</a>
International	<a href="http://content.honeywell.com/global/">http://content.honeywell.com/global/</a>

## Telephone

Contact us by telephone at the numbers listed below:

	<b>Organization</b>	<b>Phone Number</b>
Americas	Honeywell Analytics	1-800-563-2967 1-450-619-2450 Fax: 1-888-967-9938
Asia Pacific	Honeywell Asia Pacific Inc. Hong Kong	(852) 23 31 9133
Europe	Honeywell Switzerland	(0) 44 943 4300

## Sales Informations






Contact us at [hasales@honeywell.com](mailto:hasales@honeywell.com)





# Symbol Definitions

The following table lists the symbols used in this document to denote certain conditions:

Symbol	Definition
	<b>ATTENTION:</b> Identifies information that requires special consideration
	<b>TIP:</b> Identifies advice or hints for the user, often in terms of performing a task
	<b>REFERENCE _ INTERNAL:</b> Identifies an additional source of information within the bookset.
CAUTION	Indicates a situation which, if not avoided, may result in equipment or work (data) on the system being damaged or lost, or may result in the inability to properly operate the process.
	<b>CAUTION:</b> Indicates a potentially hazardous situation which, if not avoided, may result in minor or moderate injury. It may also be used to alert against unsafe practices. <b>CAUTION:</b> Symbol on the equipment refers the user to the product manual for additional information. The symbol appears next to required information in the manual.
	<b>WARNING:</b> Indicates a potentially hazardous situation which, if not avoided, could result in serious injury or death. <b>WARNING</b> symbol on the equipment refers the user to the product manual for additional information. The symbol appears next to required information in the manual.



# Contents

<b>INTRODUCTION .....</b>	<b>11</b>
Description .....	11
Unpacking .....	11
<b>INSTALLATION .....</b>	<b>12</b>
Wall Mount Installation .....	13
Recommended Installation Height .....	13
Installation Details .....	14
Determining the Number Units .....	15
Installing Sampling Points .....	15
<b>WIRING DETAILS .....</b>	<b>16</b>
PCB Wiring .....	16
Wiring Diagram .....	17
<b>PROGRAMMING .....</b>	<b>18</b>
User Interface .....	18
Detection Range and Alarm Levels .....	19
Status Display .....	19
Programming Menus .....	20
Programming Menu Details .....	22
Sensor Tubing Lengths .....	25
<b>SPECIFICATIONS .....</b>	<b>26</b>
Maintenance .....	27
Periodic Inspections and Calibrations .....	27
Replacement Parts .....	27
Cleaning .....	27
<b>LIMITED WARRANTY .....</b>	<b>29</b>
Limited Warranty .....	29
Re-Stocking Policy .....	29
Exclusions .....	30
Warranty Limitation and Exclusion .....	30
Disclaimer of Unstated Warranties .....	31
Limitation of Liability .....	31



# Introduction

## Description

SQN8x multi-sampling gas transmitters provide detection for a wide range of refrigerant gases and other toxic or explosive gases in an indoor, commercial environment. A premium quality diaphragm pump ensures ambient air sampling up to a distance of 1000 ft. (305 meters). A sequencer synchronizes the electronic and mechanical architecture to adequately measure the presence of gas in each of the 8 available sensor ports.

## Unpacking

After opening the package, remove the equipment and components. Please make sure that all the items described on the order form or packing slip **are actually in the box and are undamaged.**

# Installation

Installation instructions must be **strictly** followed to ensure the proper functioning of the equipment. Honeywell will not be liable or responsible for any malfunctions or incidents that may occur from improper installation.

- Place each unit in a location that is easily accessible for service.
- Avoid placing units near sources of vibrations.
- Avoid placing units near equipment that emits electromagnetic interference.
- Avoid any location where there are large temperature swings.
- Before installing, verify all local codes, standards or legislation that could impact choice of installation location.

## Wall Mount Installation

Affix the SQN8x transmitter to the wall at a height of 5 ft. (1.5 meters) from the floor. Affix all sensors at an appropriate height and location, as shown in the table. Place the sensors in a perimeter around a heat sink, a boiler or all other equipment that should be monitored.

### Recommended Installation Height

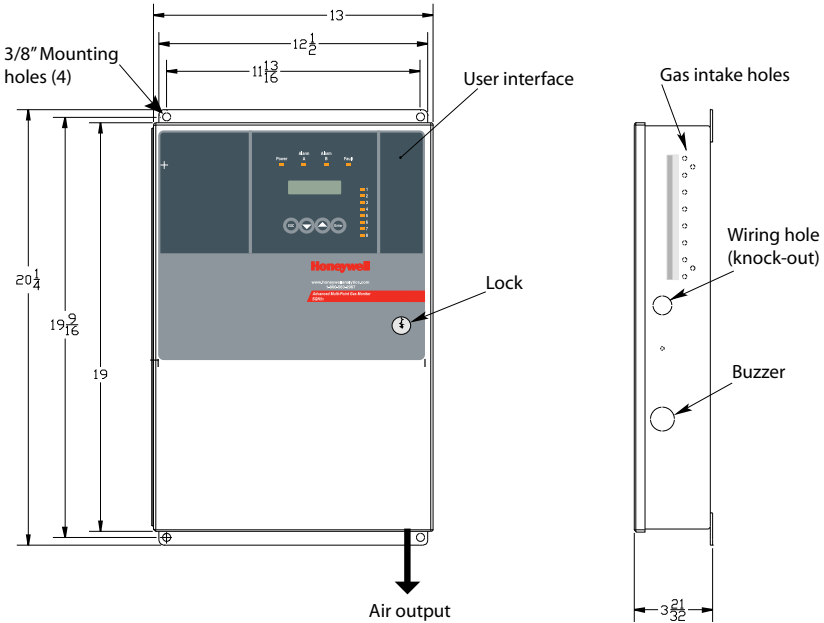
The installation heights recommended by Honeywell represent general guidelines. Always confirm local laws and regulations before proceeding, as these take precedence over manufacturer's recommendations.

	<b>Detected Gas</b>	<b>Relative Density (air = 1)</b>	<b>Installation Height</b>
CO	Carbon monoxide	0.968	3 - 5 ft. (1 - 1.5 m) from floor
NO <sub>2</sub>	Nitrogen dioxide	1.58 (cold)	*1 - 3 ft. (30 cm to 1 m) from ceiling
O <sub>2</sub>	Oxygen	1.43	3 - 5 ft. (1 - 1.5 m) from floor
R11		5.04	
R12		4.20	
R22	Refrigerants	3.11	1 ft. (30 cm) from floor
R123		5.27	
R125		4.14	
R134A		3.52	
COMB	Most combustibles are heavier than air, with the exception of methane, hydrogen, ethylene and acetylene. For gases that are heavier than air, sensors should be installed approximately 30 cm (1 ft.) from the floor. For combustibles that are lighter than air, sensors should be installed 30 cm (1 ft.) from the ceiling, close to the potential leak source.		

\* May differ for certain uses. For example, heated NO<sub>2</sub> gas from an exhaust system is lighter than 1.58.

## Installation Details

Install the tubing between the monitor and the sensors. Connect the tubing to each of the push-in connectors of both the transmitter intake (suction) and sensors. Also connect one length of tubing to the air exhaust, up to a secure area.



---

**WARNING**

Bending may damage the tubing. Exercise caution when connecting the tubing.

---



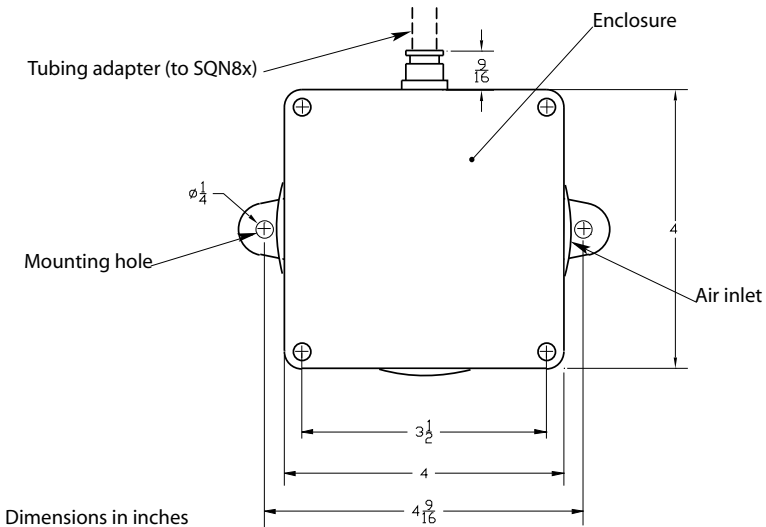
## Determining the Number Units

The monitoring radius of each type of sampling point determines the area covered by the unit.

Detected Gas		Surveillance Radius	Area Covered
CO	Carbon monoxide	50 ft. (15 m)	7,854 sq ft.(707 m sq)
NO <sub>2</sub>	Nitrogen dioxide		
Others		23 ft. (7 m)	1,257 sq. ft.(154 m sq)

## Installing Sampling Points

Sampling points are equipped with a case to deflect particles that could obstruct air circulation within the system. This spacing of the tubing is important to maintaining proper air flow and to prevent premature equipment deterioration.



## Wiring Details

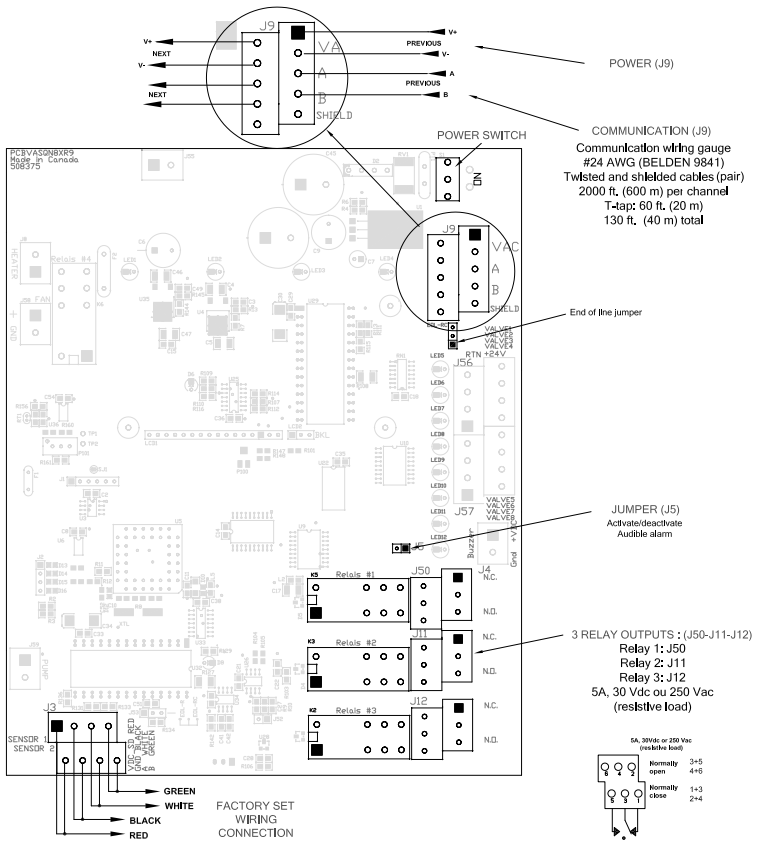
### PCB Wiring

Opening the SQN8x housing provides access to the terminal boards.

Connect the 24 Vac power supply to the power supply terminal. The power supply should come directly from the electrical panel **on a dedicated circuit**.

Connect the auxiliary device to the relay outputs: Relay 1 is activated, by default, when gas concentrations reach alarm level A. Relay 2 is activated when gas concentrations reach alarm level B and relay 3 signals a failure (breakdown). The functioning sequence is completely programmable, thus programming can be modified if it was requested at the time of order.

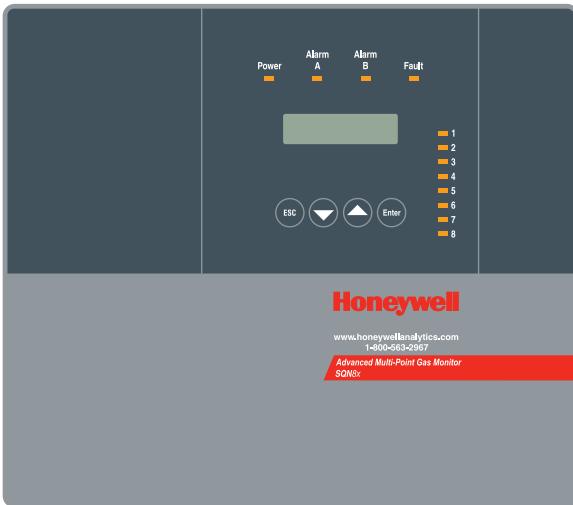
# Wiring Diagram



# Programming

## User Interface

As indicated by the green LED for each port, each of the ports (up to 8) is analyzed following a specific time interval based on the type of probe used and the length and course of the sensor tubing. When the gas concentration is channeled and measured at the transmitter, the value is stored until the next reading.



### Visual Indicators

I/O Normal operation:	Green LED
Alarm Level A:	First Red LED
Alarm Level B:	Second Red LED
Alarm Level C:	Both Red LEDs blink
Failure:	Amber LED

### Programming Keys:

Esc:	Exit a Menu
Enter:	Access the programming or acknowledge a programming field or value
Up /Down Arrows:	Select a programming field or value Scan the reading at a specific sampling zone.

## Detection Range and Alarm Levels

Gas Detected		Range	Alarm A	Alarm B	AlarmC
CO	Carbon monoxide	0-255 ppm	25 ppm	200 ppm	225 ppm
NO <sub>2</sub>	Nitrogen dioxide	0-10.2 ppm	0.72 ppm	2 ppm	9 ppm
O <sub>2</sub>	Oxygen	0-25.5% Vol.	19.5% Vol.	22% Vol.	22.5% Vol.
R-11	Refrigerant Q1	0-1,020 ppm	250 ppm	500 ppm	900 ppm
R-12	Refrigerant Q1	0-1,020 ppm	250 ppm	500 ppm	900 ppm
R-22	Refrigerant Q1	0-1,020 ppm	250 ppm	500 ppm	900 ppm
R-123	Refrigerant	0-1,020 ppm	50 ppm	500 ppm	900 ppm
R-125	Refrigerant Q1	0-1,020 ppm	250 ppm	500 ppm	900 ppm
R134A	Refrigerant Q1	0-1,020 ppm	250 ppm	500 ppm	900 ppm
COMB	Combustibles	0-102% LEL	25% LEL	50% LEL	90% LEL

A different alarm level setting can be programmed to meet the requirements of a particular use.

### Status Display

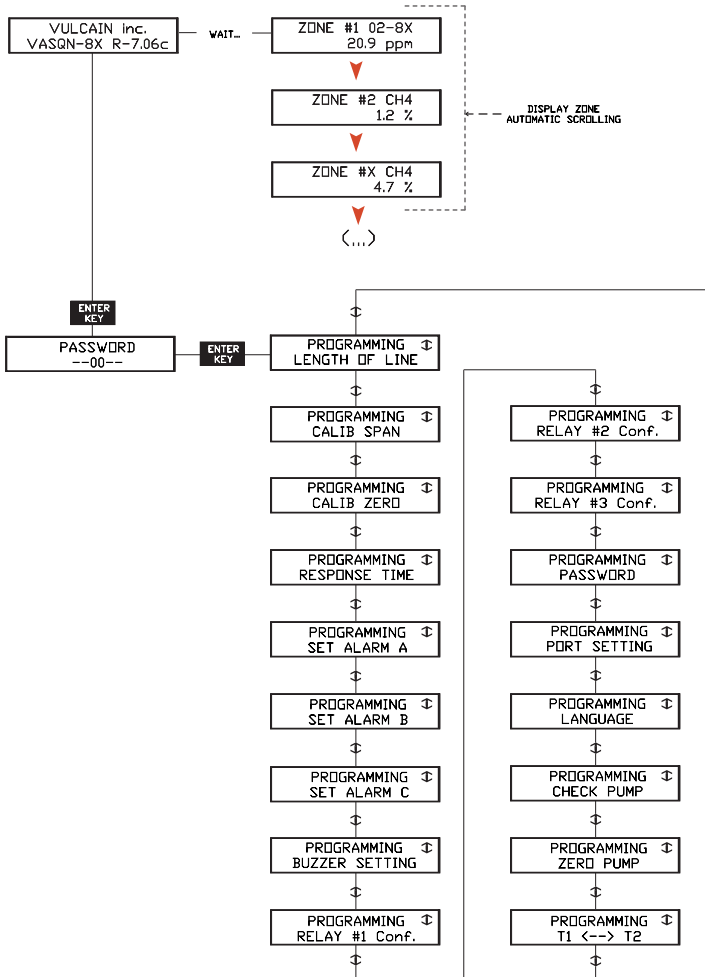
The SQN8x will display the status of each zone, starting with Zone 1 and ending with Zone 8. This display is on a continuous loop. However, if a given zone is in alarm state, the system will display the status of that zone intermittently between the displays of the other zones monitored by the system.

For example, if Zone 2 is in alarm status, the system will display the zones in the following order: *Zone 1*; **Zone 2**; *Zone 3*; **Zone 2**; *Zone 4*; **Zone 2**, etc.

# Programming Menus

Different programming menus allow users to configure SQN8x according to their needs. In normal mode, the screen displays the system status by scrolling gas concentrations in the different zones.

**Access to programming is password protected.** Here is an overview of the various menus:



The menus allow you to configure the system to optimize monitoring of the space to safeguard. The following pages describe the different menus.

PROGRAMMING ⚙  
LENGTH OF LINE

This menu allows users to configure the length of sensor tubing. This field allows the unit to calculate sensor delays. The greater the distance between the SQN8x and sensor points, the more important it is to calculate sensor delays, thus allowing a more representative reading of the gases in the area being monitored.

PROGRAMMING ⚙  
CALIB SPAN

CALIB SPAN allows users to input a reference detection value. This value is the basis on which the unit will calculate gas concentrations in the environment.

PROGRAMMING ⚙  
CALIB ZERO

CALIB ZERO lets user set the unit's zero.

PROGRAMMING ⚙  
RESPONSE TIME

Response time is a delay configured by the user. It delays (display) zone scrolling to adapt sensors with their detection time.

PROGRAMMING ⚙  
SET ALARM A

PROGRAMMING ⚙  
SET ALARM B

PROGRAMMING ⚙  
SET ALARM C

This field lets users set different alarm levels for different gas concentrations (see Detection Range and Alarm Levels). The relays will perform different actions, in accordance with the relay configuration, according to users' needs.

PROGRAMMING ⚙  
BUZZER SETTING

PROGRAMMING ⚙  
RELAY #1 Conf.

PROGRAMMING ⚙  
RELAY #2 Conf.

PROGRAMMING ⚙  
RELAY #3 Conf.

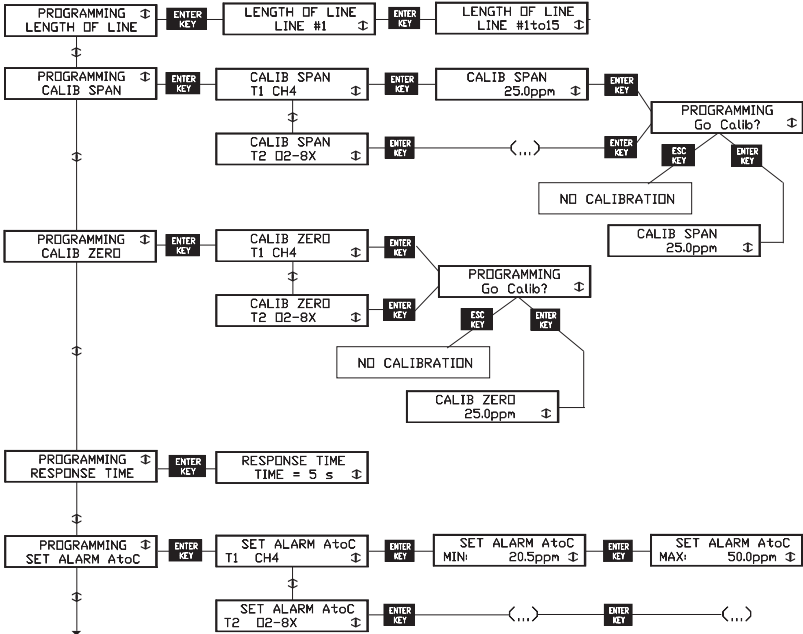
This feature links system status to settings on the relay and audible alarm. Here are some statuses that could set off actions:

1. Alarm A: gas concentrations have reached alarm level A
2. Alarm B: gas concentrations have reached alarm level B
3. Alarm C: gas concentrations have reached alarm level C
4. Fault: a system anomaly has been detected
5. Alarm A^B: the relay will be set off if gas concentrations reach alarm level A or B
6. Fault +P: the relay will be set off in the event of communication or pump failure
7. --- : no system status will set off relays

PROGRAMMING ⚙  
PASSWORD

Allows users to modify the password to access the setup menus.

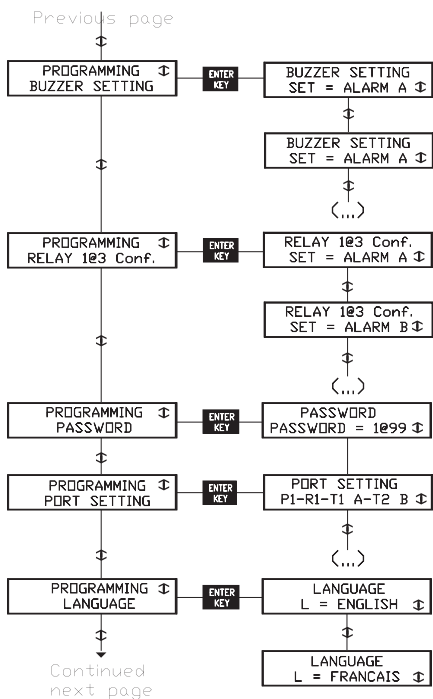
## Programming Menu Details



Continued  
 next page



Programming menus (cont'd)

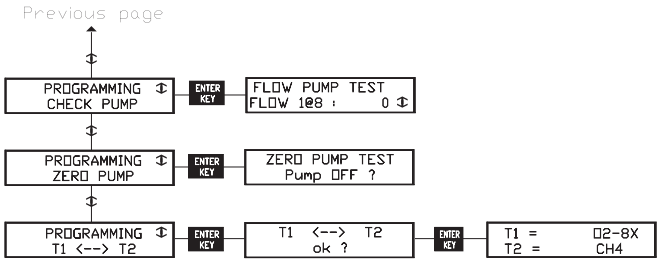


# Programming

## Programming Menus

---

### Programming menus (cont'd)



## Sensor Tubing Lengths

When programming the Length of Line for the sensor, users must input a code that represents the desired length. Each code is preprogrammed with a specific dwell time (or delay) to ensure reading accuracy.

Length (ft.)	Code	Dwell Time (sec)	Length (ft.)	Code	Dwell Time (sec)
No sampling	0	0	301-350	8	160
0-25	1	10	351-400	9	185
26-50	2	20	401-450	10	210
51-100	3	40	451-500	11	260
101-150	4	60	501-600	12	300
151-200	5	95	601-700	13	350
201-250	6	130	701-800	14	400
251-300	7	145	801-100	15	550

## Specifications

---

Sensing technology:	Refrigerant (infrared) Electrochemical (toxic) Catalytic Combustion (combustibles) Diffusion Fuel Cell (oxygen)
Visual indicators:	Normal operation: Green LED Alarm Level 1: Red LED Alarm Level 2: Red LED Failure: Yellow LED Active Sample Points: Green LED
Required Power :	24 Vac, 0.74 A, 50/60 Hz
Audible Alarm:	110 dBA at 3 ft. (1 meter)
Number of sampling points:	up to 8 (2, 4, or 8)
Outputs:	3 DPDT relays (3 alarm levels or 2 alarm levels and fault) RS-485
Relay output rating:	5A, 30 Vdc or 250 Vac (resistive load)
Alarm levels:	3
Maximum sampling distance:	1000 ft. (305 meters)
Operating humidity range:	15% - 90% RH, Non-Condensing 0% - 99% RH, Non-Condensing (infrared)
Operating temperature range:	32°F to 100°F (0°C to 40°C)
Maximum operating altitude:	2000m (6562 ft)
Operating environment:	Indoor
Dimensions :	19" x 13" x 3.75" (48 x 33 x 10 cm)
Weight :	26,5 lbs (12.02 kg)
Certifications	ANSI/UL 61010-1 CAN CSA C22.2 no.61010-1

---

## **Maintenance**

The SQN8x requires no maintenance. Transmitters, however, require regular inspection and calibration.

### **Periodic Inspections and Calibrations**

Honeywell supplies its customers with highly specialized gas detection equipment. Beyond the warranty period, these systems require maintenance and calibration on a regular basis (usually twice a year).

These inspections and calibrations can only be performed by qualified technicians either trained or certified by Honeywell. Honeywell is exempt from any responsibility or from lawsuit claiming responsibility resulting from functioning or malfunctioning of the systems for which it does not or no longer performs maintenance and calibration.

An updated list of authorized service centers is available from Technical Services.

When calibration cannot be accurately achieved, the cell must be replaced. Keep a log of all maintenance, calibration and alarms.

### **Replacement Parts**

Because of the continuing evolution of our products, we ask you to contact Technical Support for more information.

### **Cleaning**

Clean the exterior of the unit with a soft, damp cloth. Do not use solvents, soaps or polishes.



---

## Limited Warranty

### Limited Warranty

Honeywell Analytics, Inc. warrants to the original purchaser and/or ultimate customer ("Purchaser") of Vulcain products ("Product") that if any part thereof proves to be defective in material or workmanship within twelve (12) months, such defective part will be repaired or replaced, free of charge, at Honeywell Analytics' discretion if shipped prepaid to Honeywell Analytics at 4005 Matte Blvd., Unit G, Brossard, Quebec, Canada, J4Y 2P4, in a package equal to or in the original container. The Product will be returned freight prepaid and repaired or replaced if it is determined by Honeywell Analytics that the part failed due to defective materials or workmanship. The repair or replacement of any such defective part shall be Honeywell Analytics' sole and exclusive responsibility and liability under this limited warranty.

### Re-Stocking Policy

The following re-stocking fees will apply when customers return products for credit:

- 15% re-stocking fee will be applied if the product is returned within **1 month** following the shipping date
- 30% re-stocking fee will be applied if the product is returned within **3 months** following the shipping date

A full credit (less re-stocking fee) will only be issued if the product is in perfect working condition. (If repairs are required on the returned product, the cost of these repairs will be deducted from the credit to be issued.)

No credits will be issued beyond the three month period.

## Exclusions

- a.If Gas sensors are part of the Product, the gas sensor is covered by a twelve (12) month limited warranty of the manufacturer.
- b.If gas sensors are covered by this limited warranty, the gas sensor is subject to inspection by Honeywell Analytics for extended exposure to excessive gas concentrations if a claim by the Purchaser is made under this limited warranty. Should such inspection indicate that the gas sensor has been expended rather than failed prematurely, this limited warranty shall not apply to the Product.
- c.This limited warranty does not cover consumable items, such as batteries, or items subject to wear or periodic replacement, including lamps, fuses, valves, vanes, sensor elements, cartridges, or filter elements.

## Warranty Limitation and Exclusion

Honeywell Analytics will have no further obligation under this limited warranty. All warranty obligations of Honeywell Analytics are extinguishable if the Product has been subject to abuse, misuse, negligence, or accident or if the Purchaser fails to perform any of the duties set forth in this limited warranty or if the Product has not been operated in accordance with instructions, or if the Product serial number has been removed or altered.



## **Disclaimer of Unstated Warranties**

The warranty printed above is the only warranty applicable to this purchase. All other warranties, express or implied, including, but not limited to, the implied warranties of merchantability or fitness for a particular purpose are hereby disclaimed.

## **Limitation of Liability**

It is understood and agreed that Honeywell Analytics' liability, whether in contract, in tort, under any warranty, in negligence or otherwise shall not exceed the amount of the purchase price paid by the purchaser for the product and under no circumstances shall Honeywell Analytics be liable for special, indirect, or consequential damages. The price stated for the product is a consideration limiting honeywell analytics' liability. No action, regardless of form, arising out of the transactions under this warranty may be brought by the purchaser more than one year after the cause of actions has occurred.



---

**Dispositif de détection de gaz**

**SQN8x**  
**Manuel d'utilisateur**

ERP 512226  
2/08



# Avis et marques de commerce

**Tous droits réservés par Honeywell International Inc.  
Parution 512226 février 2008**

Quoique cette information est présentée en bonne foi et est présumée exacte, Honeywell décline la garantie tacite de la qualité marchande pour un emploi particulier et offre aucune garantie exprès, à l'exception des conventions écrites avec et pour ses clients.

Honeywell ne sera, sous aucune circonstance, responsable à qui que ce soit pour des dommages spéciaux ou indirectes. Les informations et les spécifications dans ce document sont susceptibles d'être modifiées sans préavis.

Honeywell Analytics  
4005 Matte Blvd, Local G  
Brossard, Québec, Canada, J4Y 2P4



---

# Nous joindre

## Web

Les sites Web suivant d'Honeywell peuvent être utiles pour nos clients :

Organisation Honeywell	Adresses WWW (URL)
Honeywell Analytics	<a href="http://www.honeywellanalytics.com">http://www.honeywellanalytics.com</a>
Corporate	<a href="http://www.honeywell.com">http://www.honeywell.com</a>
International	<a href="http://content.honeywell.com/global/">http://content.honeywell.com/global/</a>

## Téléphone

Utiliser les numéros de téléphone ci-dessous pour nous contacter :

	Organisation	Numéro de téléphone
Amériques	Honeywell Analytics	1-800-563-2967 1-450-619-2450 Fax: 1-888-967-9938
Asie Pacifique	Honeywell Asia Pacific Inc. Hong Kong	(852) 23 31 9133
Europe	Honeywell Suisse	(0) 44 943 4300

## Informations des ventes

Nous contacter à [hasales@honeywell.com](mailto:hasales@honeywell.com)





---

## Définitions des symboles

Le tableau suivant contient la liste des symboles utilisés dans ce document pour indiquer certaines conditions :

Symbole	Définition
	<b>ATTENTION:</b> Identifie une information demandant une attention spéciale
	<b>Truc:</b> Identifie un conseil ou un truc pour l'utilisateur, souvent concernant une tâche
	<b>RÉFÉRENCE- INTERNE</b> Indique une source d'information supplémentaire à l'intérieur du document.
<b>ATTENTION</b>	Indique une situation à éviter pouvant entraîner des dommages au système ou la perte de travail (documents) ou pouvant prévenir l'opération normale du système.
	<b>ATTENTION :</b> Indique une situation potentiellement dangereuse qui peut entraîner des blessures mineures ou modérées si pas évité. Peut également signaler des actions dangereuses <b>ATTENTION:</b> Un symbole sur l'équipement qui réfère l'utilisateur à la documentation pour de plus amples informations. Ce symbole apparaît à côté des informations nécessaires dans le manuel.
	<b>AVERTISSEMENT :</b> Indique une situation potentiellement dangereuse qui peut entraîner des blessures majeures ou la mort si pas évité. <b>AVERTISSEMENT</b> Un symbole sur l'équipement qui réfère l'utilisateur à la documentation pour de plus amples informations. Ce symbole apparaît à côté des informations nécessaires dans le manuel.



# Table des matières

<b>INTRODUCTION</b> .....	<b>11</b>
Description .....	11
Déballage .....	11
<b>INSTALLATION</b> .....	<b>12</b>
Installation murale .....	13
Hauteur d'installation recommandée .....	13
Détails d'installation .....	14
Déterminer du nombre de points d'échantillonnage .....	15
Installation des points d'échantillonnage .....	15
<b>DÉTAILS DE BRANCHEMENT</b> .....	<b>16</b>
<b>PROGRAMMATION</b> .....	<b>17</b>
Interface usager .....	17
Plage de détection et niveaux d'alarme .....	18
Menus de programmation .....	19
Détails des menus de programmation .....	21
Longueurs des tubes d'échatillonnage .....	24
<b>SPÉCIFICATIONS</b> .....	<b>25</b>
Entretien .....	26
Inspections périodiques et étalonnages .....	26
Pièces de remplacement .....	26
Nettoyage .....	26
<b>GARANTIE LIMITÉE</b> .....	<b>27</b>
Garantie limitée .....	27
Politique de Retour .....	27
Exclusions .....	28
Limitation et exclusion de la garantie .....	28
Dénégation de responsabilité d'autres garanties .....	29
Limitation de responsabilité .....	29



# Introduction

## Description

Les transmetteurs de gaz à échantillonnage multiple VASQN8x procurent la détection d'une gamme variée de gaz réfrigérants ou autres gaz toxiques et explosifs pour usage commercial à l'intérieur. Une pompe à diaphragme de première qualité assure l'échantillonnage de l'air ambiant jusqu'à une distance maximale de 305 mètres (1000 pi.). Un séquenceur synchronise l'architecture mécanique et électronique afin de mesurer adéquatement la présence de gaz dans chacun des 8 ports d'échantillonnage possibles.

## Déballage

Dès l'ouverture de l'emballage, assurez-vous que vous avez reçu l'équipement et les composantes **tels qu'indiqués sur le bon de connaissance** et que l'ensemble de la commande **n'est pas endommagé**.

# Installation

Ces directives doivent être **strictement** respectées pour assurer le bon fonctionnement de l'équipement. Si elles ne sont pas suivies, Honeywell ne se tiendra aucunement responsable des incidents pouvant en découler:

- Localiser chaque unité à un endroit facile d'accès pour un technicien.
- Éviter toute localisation des unités près des sources de vibrations.
- Évitez d'installer les unités près d'équipements émettant des interférences électromagnétiques.
- Évitez les emplacements où la température change rapidement.
- Avant de débiter l'installation, vérifiez tous les codes, normes ou législations pouvant affecter le choix de l'emplacement.

## Installation murale

Fixer le transmetteur SQN8x au mur à une hauteur de 1,5 mètres (5 pi.) du sol. Fixer les points d'échantillonnage à une localisation et une hauteur appropriées, tel qu'indiqué au tableau. Localiser les points d'échantillonnage en périmètre d'un refroidisseur, d'une bouilloire ou de tout autre équipement à surveiller.

### Hauteur d'installation recommandée

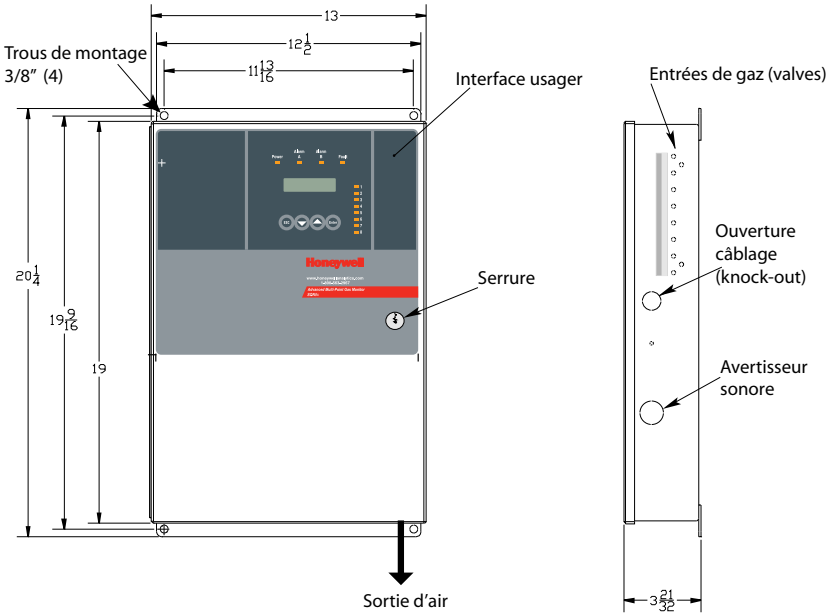
Les hauteurs d'installation de détecteurs recommandées par Honeywell représentent des directives générales. Toujours vérifier les normes et les lois locales avant de procéder à l'installation. Celles-ci ont préséance sur les recommandations du fabricant.

Gaz Détectés		Densité relative (air = 1)	Hauteur d'installation
CO	Monoxyde de carbone	0.968	1 - 1.5 m (3 - 5 pi) du plancher
NO <sub>2</sub>	Bioxyde d'azote	1.58 (froid)	*30 cm - 1 m (1 - 3 pi) du plafond
O <sub>2</sub>	Oxygène	1.43	1 - 1.5 m (3 - 5 pi) du plancher
R11		5.04	
R12		4.20	
R22	Réfrigérants	3.11	30 cm (1 pi) du plancher
R123		5.27	
R125		4.14	
R134A		3.52	
EXPL	La plupart des explosifs sont plus lourds que l'air, excepté le méthane, l'hydrogène, l'éthylène et l'acétylène. Pour les gaz plus lourd que l'air, des capteurs devraient être installés à environ 30 cm du sol. Pour les combustibles plus légers que l'air, des capteurs devraient être installés à 30 cm du plafond, près de la source potentielle de fuite.		

\* Peut différer pour certaines applications. Le gaz NO<sub>2</sub> chaud à la sortie d'un système d'échappement par exemple, est plus léger que 1,58.

## Détails d'installation

Installer la tubulure entre le moniteur et les points d'échantillonnage. Connecter la tubulure dans chacun des connecteurs de type insertion (push-in) des entrées d'aspiration du transmetteur et des points d'échantillonnage. Connecter aussi une tubulure à la sortie d'air jusqu'à une zone sécuritaire.



---

### AVERTISSEMENT

Éviter de plier la tubulure afin de ne pas l'endommager.

---



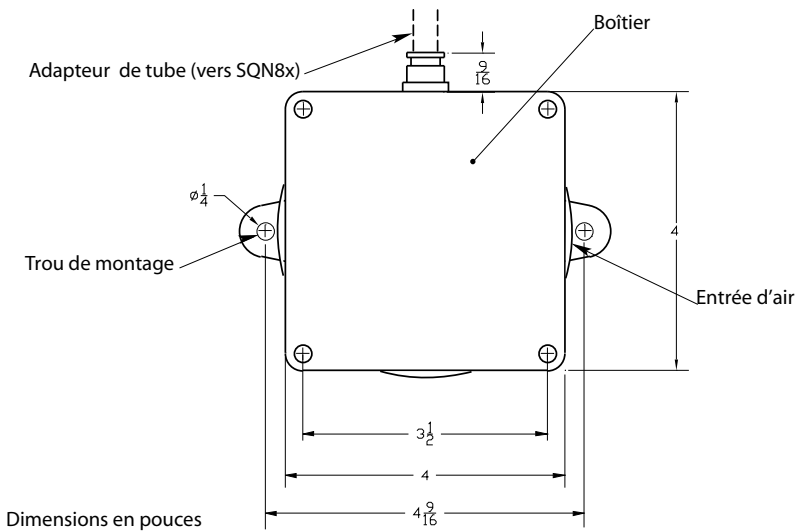
## Déterminer du nombre de points d'échantillonnage

Le rayon de surveillance de chaque type de points d'échantillonnage détermine la superficie couverte.

Gaz Détectés		Rayon de surveillance	Surface couverte
CO	Oxyde de carbone	15 m (50 pi)	707 m ca. (7854 pi ca.)
NO <sub>2</sub>	Dioxyde d'azote		
Autres		7 m (23 pi)	154 m ca (1257pi ca)

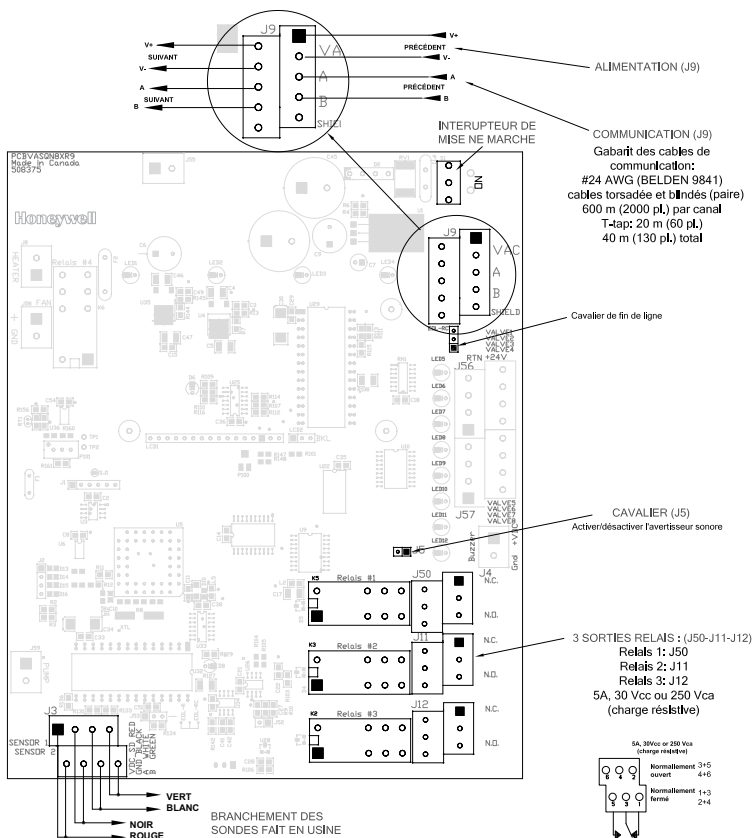
## Installation des points d'échantillonnage

Les points d'échantillonnage sont munis d'un boîtier pour exanter les particules pouvant obstruer la circulation de l'air dans le système. Ce dégagement des tubes est important pour garder un bon débit d'air et pour éviter la détérioration prématurée de l'équipement.



## Détails de connexion

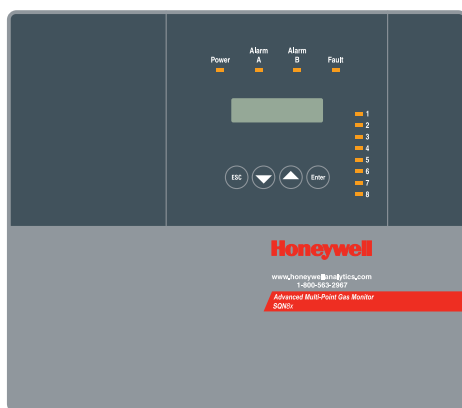
En ouvrant le moniteur SQN8x, l'accès aux borniers électriques est disponible. Brancher l'alimentation 24 Vca au terminal d'alimentation. **L'alimentation électrique devrait se faire directement du panneau électrique sur un circuit séparé.** Brancher les dispositifs auxiliaires aux sorties relais. Par défaut, le relais 1 est activé lorsque la concentration de gaz atteint le niveau d'alarme A. Le relais 2 est activé lorsque la concentration de gaz atteint le niveau d'alarme B et le relais 3 est un signal de panne. La séquence de fonctionnement est entièrement programmable. La programmation peut alors être différente, si elle a été précisée lors de la commande.



# Programmation

## Interface usager

Tel qu'indiqué par la DEL verte propre à chaque port, chacun des ports ( jusqu'à 8 ) est analysé suivant un intervalle de temps basé sur le type de sonde utilisé et la longueur de la course de sa tubulure d'échantillonnage. Lorsque la concentration de gaz est acheminée et mesurée au transmetteur, la valeur est conservée jusqu'à la prochaine lecture.



### Indicateurs visuels

I/O Normal : Alimentation DEL verte  
Alarme A : Première DEL rouge  
Alarme B : Seconde DEL rouge  
Alarme C : Deux DELs rouge clignotent

### Indicateurs visuels

ESC : Touche de retour au menu précédent ou de sortie du menu.  
Enter: Touche d'accès au mode de programmation, validation d'un champ ou d'une valeur  
Flèches : Pour parcourir le menu ou changer la valeur d'un champ.

## Programmation

Plage de détection et niveaux d'alarme

# Plage de détection et niveaux d'alarme

	Gaz détectés	Plage	Alarme A	Alarme B	Alarme C
CO	Monoxyde de carbone	0 - 255 ppm	25 ppm	200 ppm	225 ppm
NO <sub>2</sub>	Dioxyde d'azote	0 - 10.2 ppm	0.72 ppm	2 ppm	9 ppm
O <sub>2</sub>	Oxygène	0 - 25.5% Vol.	19.5% Vol.	22% Vol.	22.5% Vol.
R-11	Réfrigérant Q1	0-1,020 ppm	250 ppm	500 ppm	900 ppm
R-12	Réfrigérant Q1	0-1,020 ppm	250 ppm	500 ppm	900 ppm
R-22	Réfrigérant Q1	0-1,020 ppm	250 ppm	500 ppm	900 ppm
R-123	Réfrigérant	0-1,020 ppm	50 ppm	500 ppm	900 ppm
R-125	Réfrigérant Q1	0-1,020 ppm	250 ppm	500 ppm	900 ppm
R134A	Réfrigérant Q1	0-1,020 ppm	250 ppm	500 ppm	900 ppm
EXP	Explosifs	0-102% LIE	25% LIE	50% LIE	90% LIE

Un niveau d'alarme différent peut être réglé afin de satisfaire les contraintes d'une application particulière.

## Affichage du statut

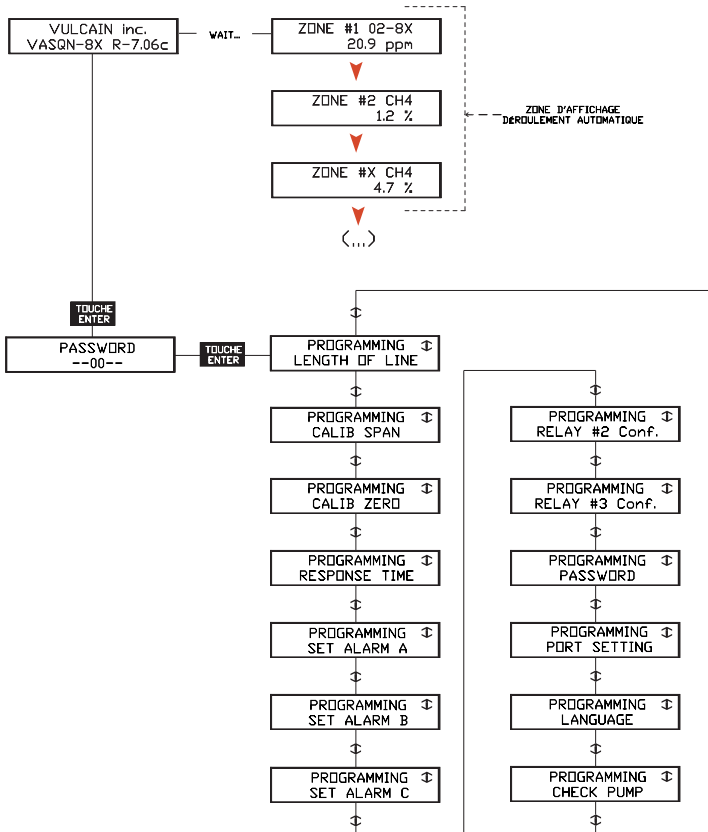
LE SQN8x affiche le statut de chaque zone en ordre, de Zone 1 à Zone 8. L'affichage est en boucle infinie. Cependant, si une des zones est en alarme, le système affichera le statut de la ou les Zones entre l'affichage des autres zones :

Par exemple, si la *Zone 2* est en alarme, le système affichera les zones dans cette ordre: *Zone 1; **Zone 2**; Zone 3; **Zone 2**; Zone 4; **Zone 2***, etc.

## Menus de programmation

Les différents menus de programmation permettent aux utilisateurs de configurer le SQN8x d'après leurs besoins. En mode normal, l'écran affiche l'état du système en déroulant la concentration de gaz dans les différentes zones. L'accès à la programmation se fait à l'aide d'un mot de passe. Voici un aperçu des différents menus :

Les menus de programmation du SQN8x sont protégés par un mot de passe. Ces menus ne devraient être accédés que par des techniciens certifiés par Honeywell. SVP, contactez le support technique.



## Programmation

### Menus de programmation

Les menus vous permettront de configurer votre système de façon à optimiser la surveillance de l'espace à protéger. Les prochaines pages décrivent le rôles des différents menus disponibles.

PROGRAMMING ⚙  
LENGTH OF LINE

Ce menu permet aux utilisateurs de configurer la longueur de boyeau flexible à la sonde. Ce champ permet à l'unité de calculer les délais de la sonde. Le plus de distance entre le SQN8x et les points d'échantillonnage, le plus il est important de calculer les délais de sonde, ce qui assure une lecture représentative des gaz détectés dans la zone de surveillance.

PROGRAMMING ⚙  
CALIB SPAN

CALIB SPAN permet aux utilisateur de configurer une valeur de référence de détection. Cette valeur est la base sur laquelle l'unité calcule les concentrations de gaz dans l'environnement.

PROGRAMMING ⚙  
CALIB ZERO

CALIB ZERO permet aux utilisateurs de préciser le zéro de l'unité.

PROGRAMMING ⚙  
RESPONSE TIME

Le « Response time » est un délai précisé par l'utilisateur. Ce délai retarde le déroulement (l'affichage) des zones pour accorder les sondes avec les intervalles de détection.

PROGRAMMING ⚙  
SET ALARM A

PROGRAMMING ⚙  
SET ALARM B

PROGRAMMING ⚙  
SET ALARM C

Ce champ permet aux utilisateurs de configurer de divers niveaux d'alarme pour de différentes concentrations de gaz (voir Plage de détection et niveaux d'alarme). Les relais effectuent de différentes actions selon la configuration des relais et selon les besoins des utilisateurs.

PROGRAMMING ⚙  
BUZZER SETTING

PROGRAMMING ⚙  
RELAY #1 Conf.

PROGRAMMING ⚙  
RELAY #2 Conf.

PROGRAMMING ⚙  
RELAY #3 Conf.

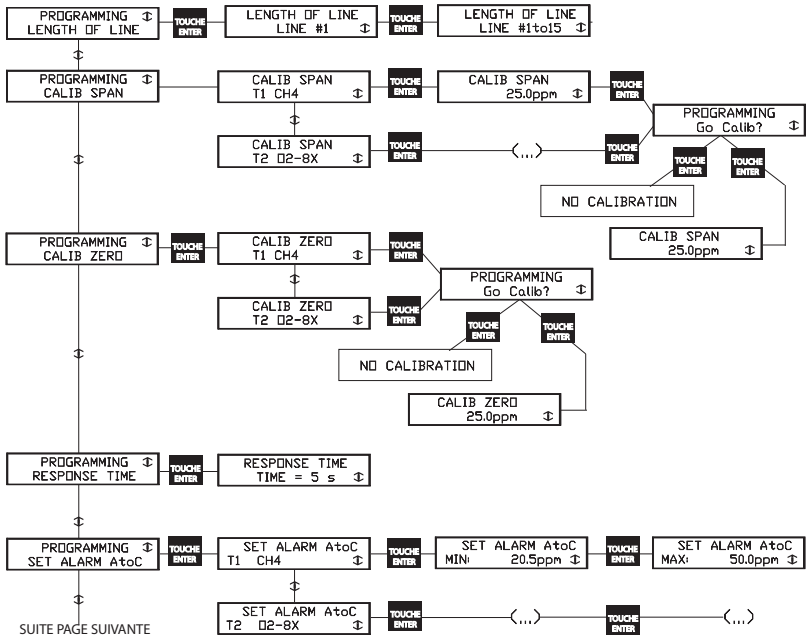
Cette fonction relie le statut du système aux configurations du relais et de l'avertisseur sonore. Voici quelques exemples de statuts pouvant déclencher des actions :

1. Alarm A: les concentrations de gaz ont atteint le niveau d'alarme A
2. Alarm B: les concentrations de gaz ont atteint le niveau d'alarme B
3. Alarm C: les concentrations de gaz ont atteint le niveau d'alarme C
4. Fault: une anomalie de système a été détectée
5. Alarm A^B: le relais sera activé si les concentrations de gaz atteignent le niveau A ou B
6. Fault +P: le relais sera activé lors d'une panne de communication ou de pompe
7. --- : aucun statut de système n'activera des relais

PROGRAMMING ⚙  
PASSWORD

Permet aux utilisateurs de modifier le mot de passe pour accéder aux menus de programmation.

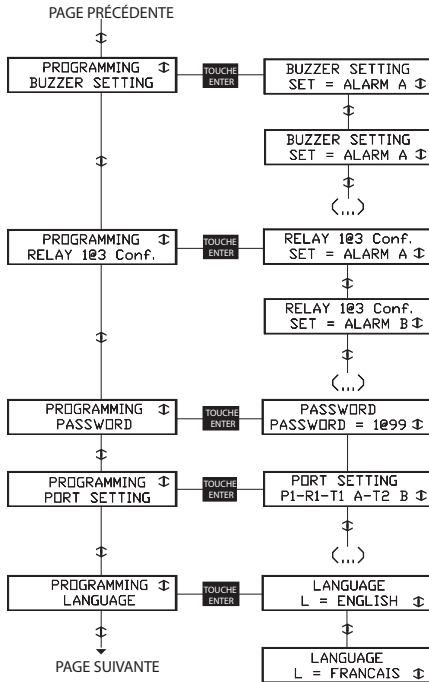
## Détails des menus de programmation



# Programmation

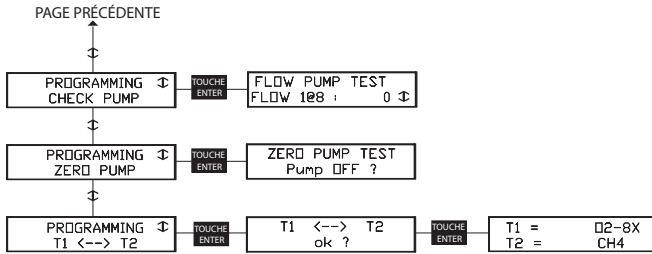
## Menus de programmation

### Menus de programmation (suite)





Menus de programmation (suite)



## Programmation

### Menus de programmation

## Longueurs des tubes d'échantillonnage

Lors de la programmation « Length of Line », les utilisateurs doivent inscrire le code représentant la longueur désirée. Chaque code est préassocié à un délai (dwell time) pour assurer la précision de la lecture.

Longueur (pi.)	Code	Temps de séquence (sec)	Longueur (pi.)	Code	Temps de séquence (sec)
Port inactif	0	0	301-350	8	160
0-25	1	10	351-400	9	185
26-50	2	20	401-450	10	210
51-100	3	40	451-500	11	260
101-150	4	60	501-600	12	300
151-200	5	95	601-700	13	350
201-250	6	130	701-800	14	400
251-300	7	145	801-100	15	550

## Spécifications

---

Technologie de détection :	Réfrigérant (infrarouge) Électrochimique (toxiques) Combustion catalytique explosifs) Pile métal-air (oxygène)
Indicateurs visuels :	Normal : DEL verte Alarme 1 : DEL rouge Alarme 2 : DEL rouge Faute : DEL jaune Points d'échantillonnage actifs : DEL verte
Alimentation requise :	24 Vca, 0.74 A, 50/60 Hz
Alarme sonore :	110 dBA à 1m (3 pi.)
Nombre de points d'échantillonnage :	jusqu'à 8 (2, 4, ou 8)
Nombre de sorties :	3 relais DPDT (3 niveaux d'alarme ou 2 niveaux d'alarme et faute) RS-485
Spécifications des relais :	5A, 30 Vcc ou 250 Vca (charge résistive)
Niveaux d'alarme :	3
Distance maximale d'échantillonnage :	305 m (1000 pi.)
Plage d'humidité relative :	15% - 90% HR, non-condensé
0% - 99% RH, non-condensé (infrarouge)	
Plage de température :	0°C à 40°C (32°F à 100°F)
Altitude d'opération maximum :	2 000m (6562 pi)
Environnement d'opération :	Intérieur
Dimensions :	48 cm 33 cm 10 cm (19 po x 13 po x 3.75 po)
Poids :	12.02 kg (26.5 livres)
Certifications	ANSI/UL 61010-1 CSA C22.2 61010-1

---

## **Spécifications**

Entretien

## **Entretien**

Le SQN8x ne nécessite aucune maintenance. Par contre, les transmetteurs nécessitent une inspection et une calibration périodiquement.

### **Inspections périodiques et étalonnages**

Honeywell fournit à ses clients des équipements de détection de gaz spécialisés. Au-delà de la période de garantie, ces systèmes demandent à être maintenus et calibrés sur une base régulière ( normalement deux fois par année).

Ces travaux ne peuvent être effectués que par du personnels formés par Honeywell de Honeywell même ou d'entreprises dûment qualifiées par Honeywell. Honeywell se dégage de toute responsabilité, poursuite en responsabilité découlant du fonctionnement ou du disfonctionnement des systèmes dont elle n'assume pas ou n'assume plus le service d'entretien et de calibration.

Une liste à jour des centres de service autorisés est disponible auprès du service technique.

Lorsque l'étalonnage ne peut s'effectuer correctement, la cellule doit être remplacée. Gardez un journal de tous les entretiens, étalonnages et alarmes.

### **Pièces de remplacement**

En raison de la constante évolution de nos produits, veuillez contacter le support technique pour plus de détails.

### **Nettoyage**

Nettoyer l'extérieur de l'unité avec un linge humide et doux. Ne pas utiliser de solvant, savon ou polis.

## Garantie limitée

### Garantie limitée

Honeywell Analytics, Inc. garantie à l'Acheteur d'origine et/ou au client final (« Acheteur ») de produits Vulcain (« Produit ») que si une pièce quelconque du produit s'avère défectueuse, soit en matériel ou en main d'oeuvre, dans les douze (12) mois, cette pièce sera réparée ou remplacée, sans frais, à la discrétion d'Honeywell Analytics si expédié, port payé, à Honeywell Analytics at 4005 Matte Blvd., Unit G, Brossard, Quebec, J4Y 2P4, dans l'emballage d'origine ou l'équivalent. Le Produit sera retourné au client port payé si Honeywell Analytics détermine que la pièce est défectueuse en raison de défaut matériel ou de main d'oeuvre. La réparation ou le remplacement d'une telle pièce défectueuse représente la seule et exclusive responsabilité d'Honeywell Analytics sous cette garantie limitée.

### Politique de Retour

Les frais suivants seront applicables lors de retour de produit pour crédit :

- Des frais de retour de 15% seront appliqués lorsque le produit est retourné dans le **1er mois** suivant la date d'expédition
- Des frais de retour de 30% seront appliqués lorsque le produit est retourné dans les **3 mois** suivant la date d'expédition

Un crédit total (moins les frais de retour) sera uniquement appliqué si le produit est en parfait état de fonctionnement. Si des réparations sont nécessaires sur le produit retourné, les frais de cette réparation seront déduit du crédit.

Aucun crédits ne seront appliqués pour les retours après les 3 mois suivant la date d'expédition.

## **Exclusions**

A. Si des capteurs de gaz font partie du Produit, le capteur est couvert par une garantie limitée de douze (12) mois du fabricant.

B. Si les capteurs de gaz sont couverts par cette garantie limitée, le capteur sera assujéti à l'inspection par Honeywell Analytics pour l'exposition prolongée à des concentrations de gaz élevées si l'Acheteur fait une réclamation sous cette garantie limitée. Si l'inspection indique que la cause de la défectuosité est l'épuisement du capteur plutôt qu'un défaut, cette garantie ne s'appliquera pas au Produit.

C. Cette garantie limitée ne s'applique pas au produits consommables, tels les piles, ou les articles sujets à l'usure ou au remplacement régulier, incluant les lampes, les fusibles, les valves, les aubes, les éléments de sonde, les cartouches ou les éléments de filtres.

## **Limitation et exclusion de la garantie**

Honeywell Analytics n'aura aucun autre responsabilité sous cette garantie limitée. Toutes responsabilités de garantie d'Honeywell Analytics sont annulées si le Produit a subi des abus, de la négligence, un accident ou si l'Acheteur est en défaut de ses obligations tels que décrit dans cette garantie ou si le Produit n'a pas été utilisé selon les instructions ou si le numéro de série du Produit été enlevé ou modifié.

### **Dénégation de responsabilité d'autres garanties**

La garantie ci-haut est la seule garantie applicable à cet achat. Toutes autres garanties, soit implicites ou exprès, incluant mais pas limité à, les garanties tacites de qualité marchande ou de l'aptitude à un emploi particulier sont dénuées par le présent document.

### **Limitation de responsabilité**

Il est entendu que la responsabilité d'Honeywell Analytics, soit en contrat, en délit civil, sous n'importe quelle garantie de responsabilité, en négligence ou autrement n'excédera pas le prix d'achat payé par l'Acheteur pour le produit. Honeywell Analytics ne sera pas responsable, sous aucune circonstance, pour des dommages spéciaux ou indirectes. Le prix déclaré pour le produit est une considération limitant la responsabilité d'Honeywell Analytics. Aucune action, en quelle forme que soit, survenant des transactions sous cette garantie peuvent être entreprises par l'Acheteur plus d'un an après l'occurrence de la cause de ces actions.



**MICROWATT**

*Making Safety Work*

**Tollfree in Western Canada: 1-888-388-1592**  
**microwatt.com • mwsales@microwatt.com**