



# Vibratone® Hazardous Location Horn

Model 350WBX

## DIVISION 2 VIBRATING HORN

- Available in 120VAC and 240VAC
- Effective range of 200 feet
- Rated for Class I, Division 2; Class II, Division 2; Class III
- For coded or sustained tones
- Produces 100dBA @ 10' (110dBA @ 1m)
- Type 4X enclosure
- UL and cUL Listed and CSA Certified

Model 350WBX (AC current) Vibratone® horn produces sound by the electro-mechanical vibration of a stainless steel diaphragm. The horn mechanism with diaphragm is attached to the grille. The water- and dust-tight backbox is ideal for indoor or outdoor use.

The Model 350WBX is available in 120 or 240VAC for 50/60Hz. Its sound output level is 100dBA nominal at ten feet (110dBA @ 1 meter).

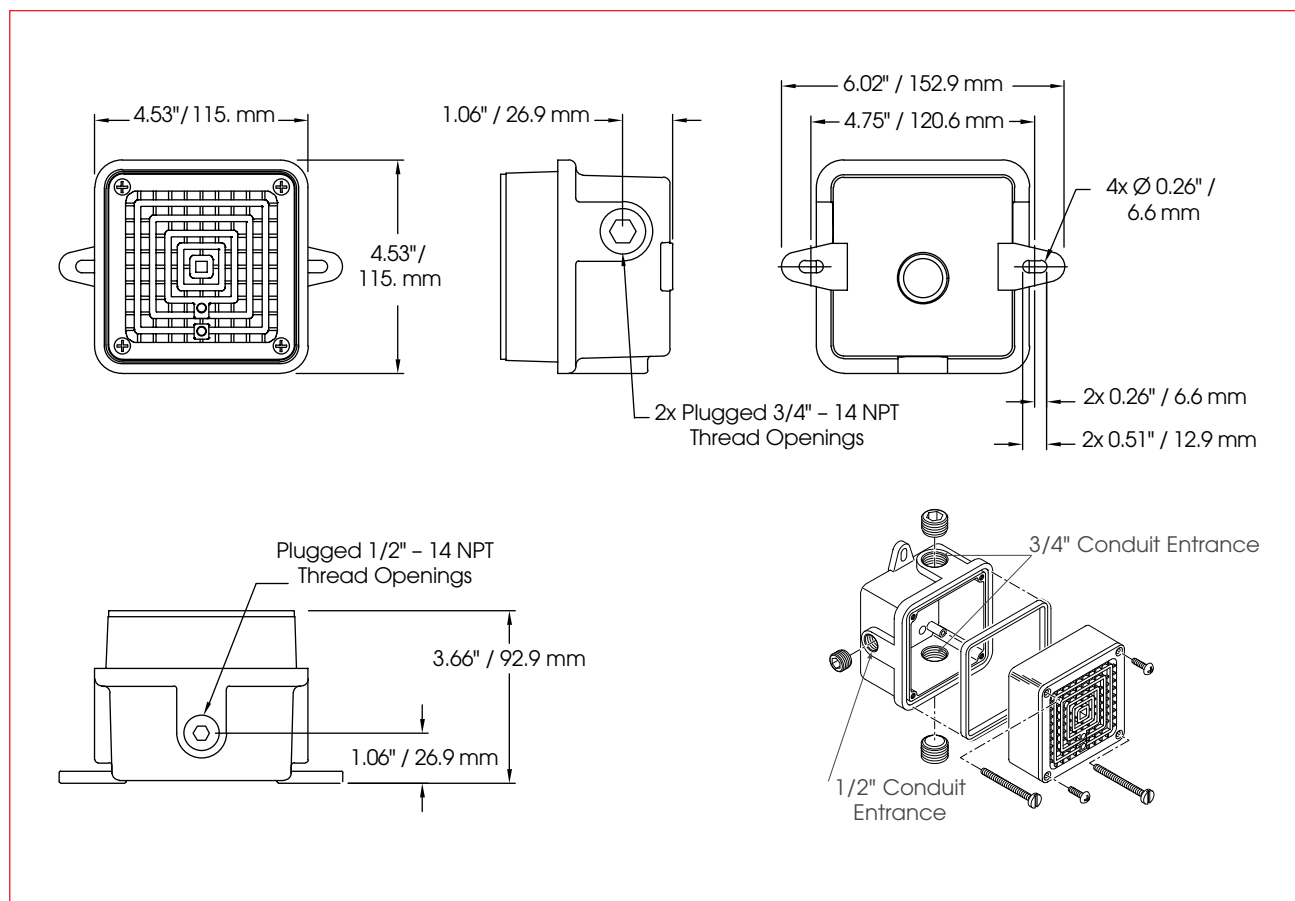
This hazardous location horn accommodates surface, flush or semi-flush mounting on walls, panels, and in cabinets.

The Model 350WBX features a die-cast zinc housing with a corrosion-resistant polyurethane finish. The rugged outer grille resists vandalism without reducing sound output. The 350WBX is fused and utilizes a terminal block connection. The 350WBX is approved for Class I, Division 2, Groups A, B, C and D; Class II, Division 2, Groups F and G; and Class III.

Capable of producing coded blasts or sustained tones, Federal Signal's Vibratone horns are excellent for general alarm, start/dismissal, coded paging and process control signaling in areas where their sound output exceeds ambient noise levels. Compact size and a variety of installation options make them ideal for institutional use.

Model	Voltage	Operating Current	Decibels @	
			10'	1m
350WBX-120	120VAC 50/60Hz	0.18 amps	100	110
350WBX-240	240VAC 50/60Hz	0.09 amps	100	110



**VIBRATONE® HORN (350WBX)****SPECIFICATIONS**

Operating Temperature:	-65°F to 150°F	-54°C to 66°C
Net Weight:	2.7 lbs.	1.2 kg
Shipping Weight:	2.8 lbs.	1.2 kg
Height:	4.53"	115.0 mm
Width:	4.53"	115.0 mm
Depth:	3.66"	92.9 mm

**HOW TO ORDER**

- Specify model and voltage



**MICROWATT**  
Making Safety Work

Tollfree in Western Canada: 1-888-388-1592  
microwatt.com • mwsales@microwatt.com

**REPLACEMENT PARTS**

<b>Description</b>	<b>Part Number</b>
Volume Control Kit	K8435663B
Coil, 120VAC (350 Horn only)	KFC1516C