

Explosion-Proof Rotating Light

Model 121X



DESIGNED FOR USE IN EXPLOSION-PROOF ATMOSPHERES

- Approved for mounting in any manner-including dome up
- Available in 24VDC and 120VAC
- Five lens colors
- 3/4-inch NPT pendant mount standard; other options available
- Optional dome guard
- Type 4X, IP66 enclosure
- UL and cUL Listed, and Marine Rated

Federal Signal's Model 121X rotating light flashes 90 times per minute and produces a 360° visual signal. This explosion-proof light has an incandescent lamp and is available in five lens colors: Amber, Blue, Clear, Green and Red. Model 121X is unique to the market because it covers an entire range of possible mounting configurations – including dome up.

The Model 121X is UL Listed for Class I, Division 1 and 2, Groups C and D; Class II, Division 1, Groups E, F and G; and Class III. The 121X is UL and cUL listed, Marine Rated and constructed to Type 4X, IP66 standards.

This corrosion-resistant unit's copper-free aluminum housing is finished with a powder coat.

The 121X uses a synchronous motor to drive a parabolic reflector around an incandescent lamp. This results in a 360° rotating beam which is concentrated in a horizontal plane.

The 121X features a spring clip-mounted lens for quick access when inspecting or relamping. A pendant mount is supplied and a ceiling mount and 90° wall mount are available options. Installation is simple—with the mounting box in place, the fixture is threaded onto the mounting box, making the electrical connection.

Federal Signal's rugged 121X Warning Light is designed for explosion-proof applications and/or corrosive environments. It is ideal for use in indoor and outdoor areas such as oil rigs, mines, refineries, and chemical plants.

Model	Voltage	Operating Current	Flash Rate/Minute	Candela	Mount
121X-024 *	24VDC	1.05 amps	90	2,350	3/4" NPT Pendant
121X-120 *	120VAC 60Hz	0.33 amps	90	1,800	3/4" NPT Pendant

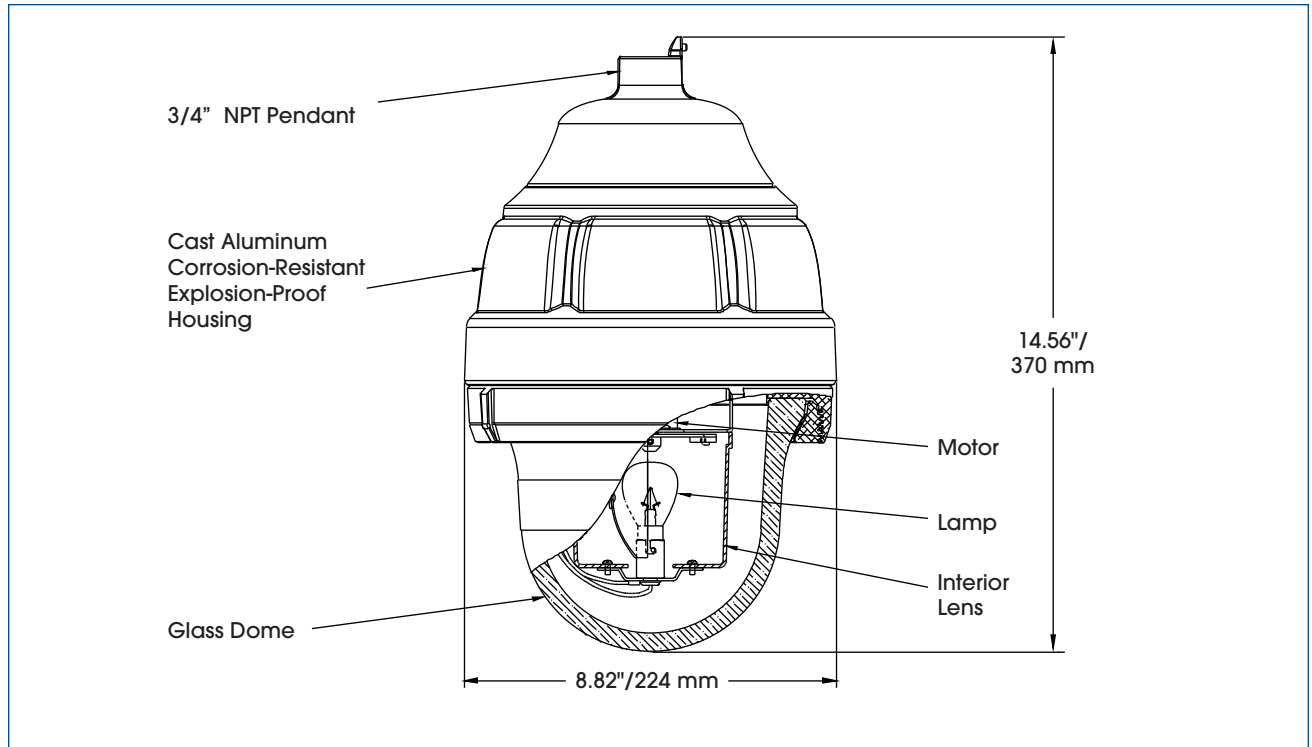
* Indicates color: (A) Amber, (B) Blue, (C) Clear, (G) Green or (R) Red

Hazardous Location Rating:

T-Code at Maximum Ambient Temperature, °C	
Hazardous Location	40°C
Class I, Div 1, Groups C & D	T6
Class II, Div 1, Groups E, F & G	T5
Class III	T5



EXPLOSION-PROOF ROTATING LIGHT (121X)



SPECIFICATIONS

Lamp Life:	800 Hours	800 Hours
Light Source:	Incandescent	Incandescent
Operating Temperature Range:	-67°F to 150°F	-55°C to 65°C
Net Product Weight		
Signal without Mounting*:	13.9 lbs	6.3 kg
Ceiling Mount:	4.5 lbs	2.0 kg
Pendant Mount:	2.0 lbs	0.9 kg
Wall Mount:	5.9 lbs	2.7 kg
Height:	14.56"	370.0 mm
Diameter:	8.82"	224.0 mm

*Pendant mount included with signal. Ceiling and wall mounts are optional.

HOW TO ORDER

- Specify model, voltage and color
- Optional Accessories:
Ceiling Mount Kit (CMXC-SB)
Wall Mount (WMXC-SB)
Dome Guard (DGXC-SB)



MICROWATT
Making Safety Work

Tollfree in Western Canada: 1-888-388-1592
microwatt.com • mwsales@microwatt.com

REPLACEMENT PARTS

<i>Description</i>	<i>Part Number</i>	<i>Description</i>	<i>Part Number</i>
Exterior Dome Assembly, Clear	K8436147A	120VAC Mechanism and Amber Lens Kit	K8444277A
Lamp, 24VDC	K8107A041	120VAC Mechanism and Blue Lens Kit	K8444277A-01
Lamp, 120VAC	K8444A173A	120VAC Mechanism and Clear Lens Kit	K8444277A-02
24VDC Mechanism and Amber Lens Kit	K8444269A	120VAC Mechanism and Green Lens Kit	K8444277A-03
24VDC Mechanism and Blue Lens Kit	K8444269A-01	120VAC Mechanism and Red Lens Kit	K8444277A-04
24VDC Mechanism and Clear Lens Kit	K8444269A-02	Pendant Mount	PMXC-SB
24VDC Mechanism and Green Lens Kit	K8444269A-03		
24VDC Mechanism and Red Lens Kit	K8444269A-04		